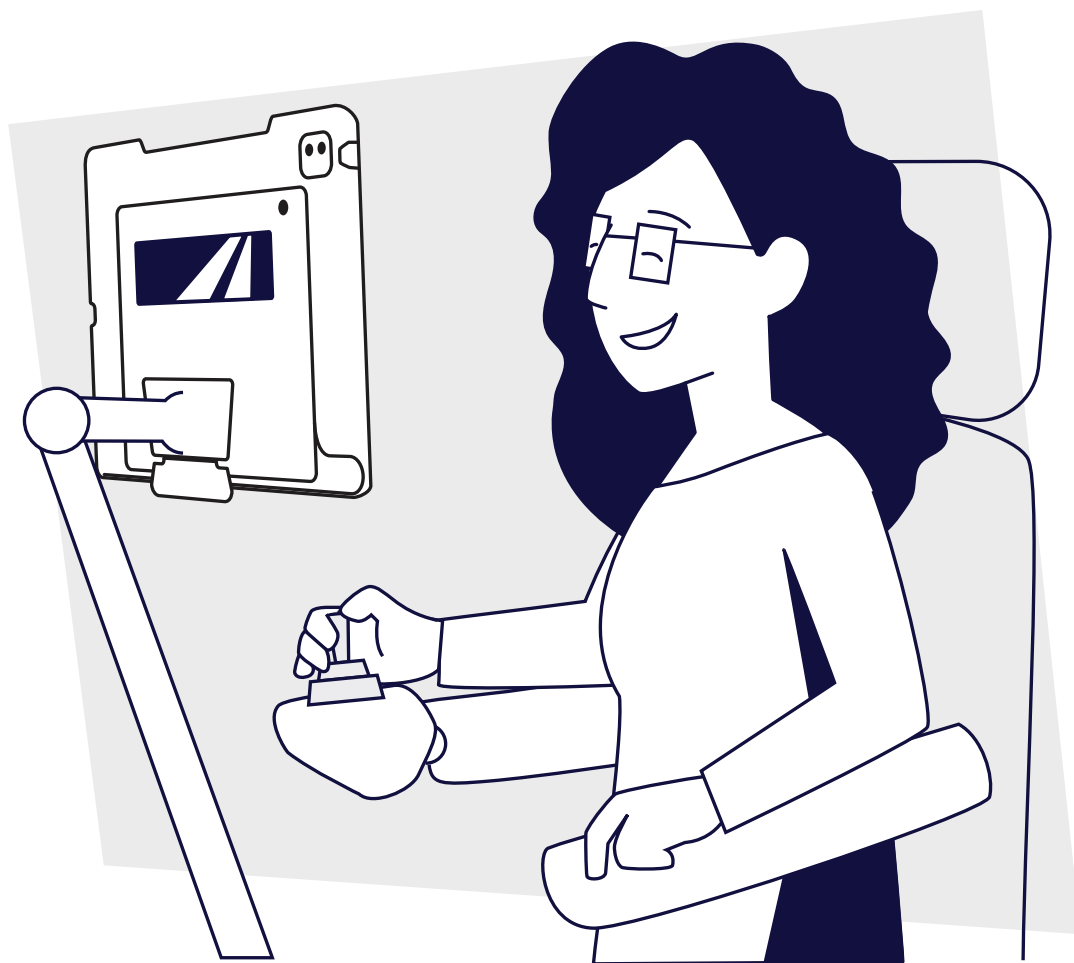


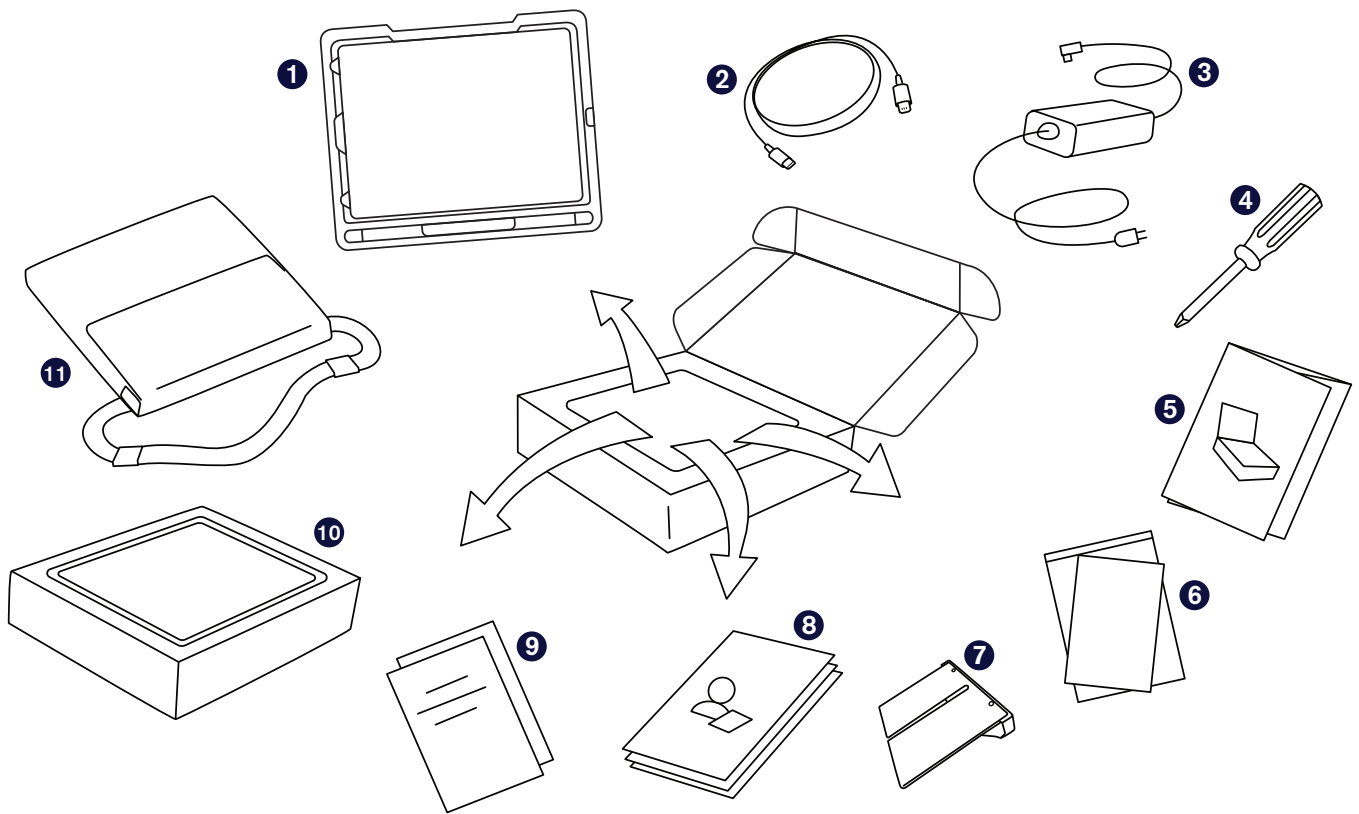
tobiidynavox

TD Pilot with TD Talk

Getting Started Guide



What's in the Box



1 Pre-assembled device

(iPad Pro 12.9, TD Pilot Base, Protective Case, ConnectIT/Rehadapt mount plate, Connection Cable USB-C to USB-C, Pre-Installed Battery)

2 Connection cable
Lightning – USB C

3 Charger with cable

4 Screwdriver

5 Getting Started Guide

6 Safety and Compliance document

7 Adjustable Bracket

8 TD Talk and AssistiveTouch Training Cards

9 Warranty documents

10 iPad Box
(containing iPad charger)

11 Carry bag

Let's Get Started

This Getting Started Guide is designed for two people: the person who will use the device to communicate and a helper who can touch the screen and move the device. The sections with the hand icon must be completed by the helper. The sections with the eye icon should be completed by the person who will access the device using eye gaze. When you have completed the steps in this guide, the individual will be able to use eye gaze to communicate in the TD Talk app.

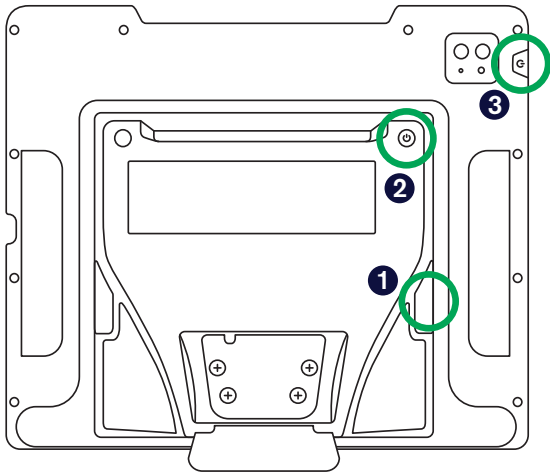


Helper



User

Power On



- 1 Open the protective cover over the ports and connect the charger cable to the charging port on the side of the TD Pilot base. Then plug the power cord into an outlet.
- 2 Press the power button on the back of the TD Pilot to power it on.
- 3 Most iPads will power on when the TD Pilot base powers on. If your iPad does not power on, press the power button on the iPad to power it on.

iPad Setup

Follow the on-screen prompts to set up the iPad. In order to receive the Tobii Dynavox software included with your purchase, you will need to make the following selections during setup:

- 1 Select your language and region.
- 2 On the Quick Start screen select **Set up manually**.
- 3 Join a Wi-Fi network, then select **Next**.
- 4 On the Remote Management screen select **Next**.
- 5 Agree to the Apple Terms and Conditions.
- 6 Answer the remaining setup prompts based on your personal preferences.

When you have completed your iPad setup prompts, you'll see the Home screen containing your app icons.



Note

Remote management, also known as MDM, allows Tobii Dynavox to send software and software updates to your iPad over Wi-Fi. Through remote management Tobii Dynavox will only have access to information about your iPad hardware specifications, OS version, installed apps, and security settings. Tobii Dynavox will not be able to access your personal files, photos, cameras, microphones, or location data.



TD Pilot Power Management

The TD Pilot must be powered on when connected to external power in order for the iPad to charge too.

When the TD Pilot is powered on, the eye tracker is always active, even when the iPad screen is locked. Because of this, the batteries will drain when the TD Pilot is turned on and not connected to external power. It is best to leave the TD Pilot turned on and plugged into the charger whenever you are not using it.

Battery status information is found in *TD CoPilot > Settings > Battery*.

Additional information about power management is available in the TD Pilot User's Manual.

Set Up Eye Gaze Access

Configure the display for gaze accuracy

- 1 Tap **Settings**.



- 2 On the left side, tap the **Home Screen & Multitasking** category.
- 3 On the right side, select **Use Large App Icons** to make the icons larger.
- 4 On the left side, tap the **Display & Brightness** category.
- 5 On the right, tap **Dark**.
- 6 On the right, scroll down and tap **Text Size**.
- 7 Move the Text Size slider all the way to the right.



Note

This increases the text size in all compatible applications.

- 8 Tap **Display & Brightness** on the left side to return to the Display & Brightness settings.
- 9 On the right side, scroll down and tap **Display Zoom**.



Note

This setting is not available on iPads smaller than 11 inches.

- 10 Select **Larger Text**.



What does AssistiveTouch have to do with eye gaze?

AssistiveTouch is designed for people who have difficulty touching the screen. The AssistiveTouch menu allows you to do “touch” functions, such as tap and scroll, using eye gaze. It also provides gaze-accessible shortcuts to things like the Home screen and App Switcher, which are typically accessed through gestures.

Set up AssistiveTouch

- 1 Tap **Settings**.



- 2 On the left side, tap **Accessibility**.
- 3 On the right side, tap **Touch**.
- 4 Tap **AssistiveTouch**, then turn it on.

Eye gaze is now enabled. You will see the Pointer, which shows the location of your eye gaze. The AssistiveTouch menu button also appears on the screen.



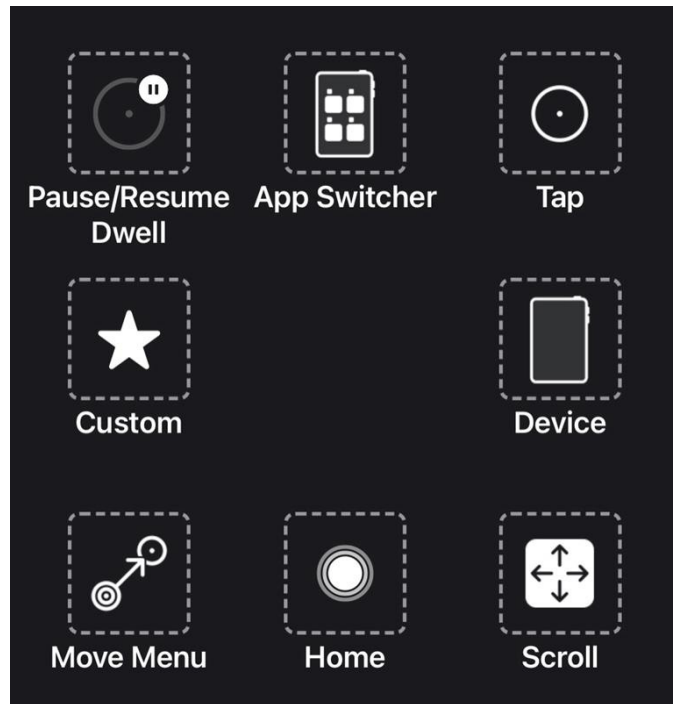
Note

If you are prompted to customize the Top Level Menu, tap **No**.

- 5 Drag the AssistiveTouch menu button to the top third of the screen on the right side.

Customize the AssistiveTouch Menu

- 1 On the right side, select **Customize Top Level Menu**.
- 2 Tap **+** to change the number of icons to 8.
- 3 Tap **Notification Center**.
- 4 Swipe to the bottom of the list and tap **Toggle Pause/Resume Dwell**. Tap outside the list to close it.
- 5 Tap the **Gestures** button.
- 6 Swipe to and then tap **Move Menu**. Tap anywhere outside the menu to close it.
- 7 Continue editing the menu icons until your menu matches the one shown to the right.
- 8 On the left, select **Accessibility**.
- 9 On the right, select **Touch**.
- 10 On the right, select **AssistiveTouch**.



Configure Dwell Control

- 1 On the right side, swipe to the bottom of the AssistiveTouch menu. Turn on **Dwell Control**.



Note

If you are prompted to customize the AssistiveTouch Top Level Menu, tap **No**.

- 2 Tap the plus or minus signs next to **Seconds** to change the dwell time to 1.5 seconds.



Tip

This dwell time setting is to get you started. You can change the dwell time again later to suit your needs.

Enable Eye Gaze when iPad is Locked

- 1 On the left, select **Face ID & Passcode**.
- 2 Enter your passcode.
- 3 Swipe to the bottom and turn on **Accessories**.

Waking and Unlocking Your iPad

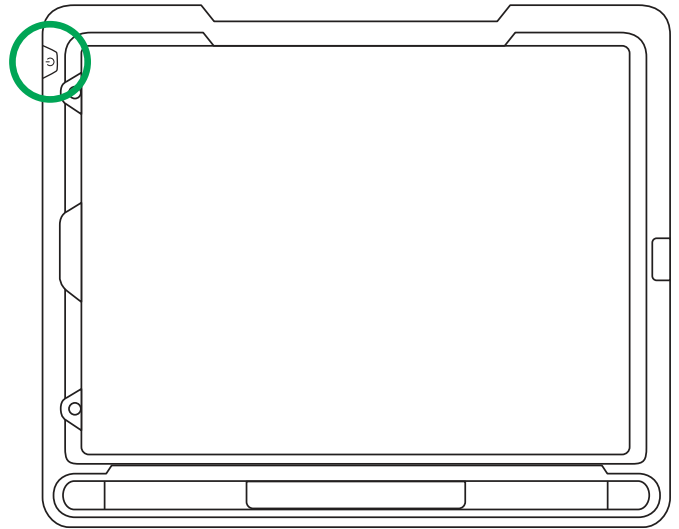
The iPad wakes automatically when the eye tracker detects the user's eyes. Unlock the iPad by selecting the AssistiveTouch Button, then Home.

Try it now:

- 1 Press the top button to lock the iPad.
- 2 Look at the screen for a few moments. The iPad wakes and displays the lock screen.
- 3 Tap or use your eyes to select the **AssistiveTouch menu** button then select **Home**.



The iPad is now unlocked.



Tip

If you are interested in extra security on your device, we recommend using Face ID. Face ID allows you to unlock your device without entering a passcode each time. Set up Face ID in *iPad OS Settings > Face ID & Passcode*.

Set Up TD Talk

- 1 Tap the **TD Talk** app.



- 2 Swipe up from the letter T on the TD Talk keyboard to open the off-screen menu.

- 3 Tap the **More** button.



- 4 Tap **Settings**.



- 5 Set the TD Talk interface language:

- Tap the **right arrow** to navigate to the **General** settings.
- On the General Settings tap **Open**.
- Select the language of your choice.
- Select **Back** to return to Settings.



Optional: Add additional keyboard languages.

- 1 Go to **Off-Screen Menu > More > Settings > Keyboard > Add/Change**.
- 2 Select a language from the Installed tab or go to the Download tab to find other languages.
- 3 When your language has been installed, you will be prompted to choose a voice for the new language. Select **Voices**, then choose a voice.



Note

Voices at the top of the list are downloaded and ready to use. Voices at the bottom of the list are available to download.

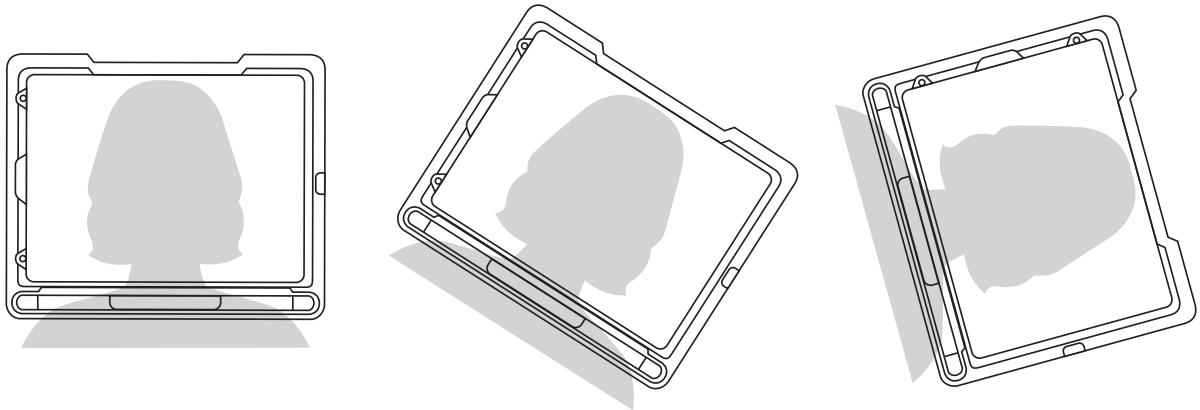


Tip

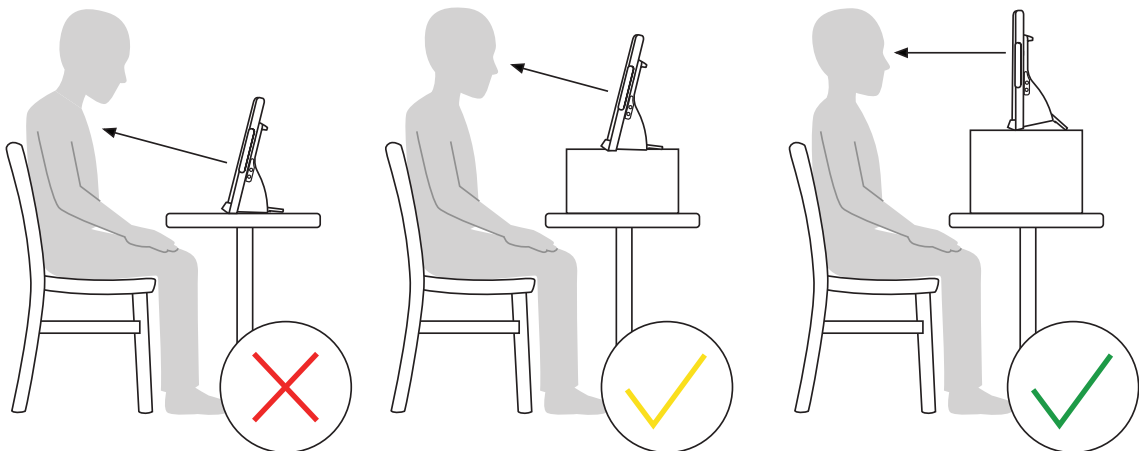
When you are using TD Talk you can quickly switch languages by selecting the globe in the lower left corner of the keyboard.

Mount and Position

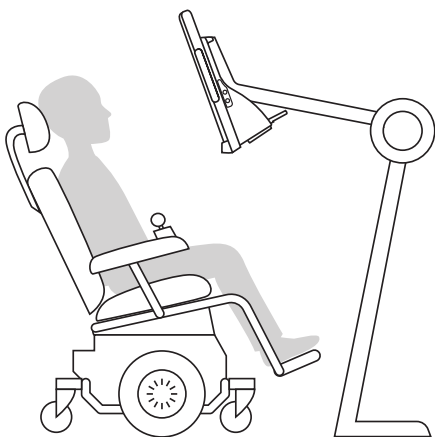
Prepare the user to start using eye tracking by positioning them comfortably. If they use glasses, make sure that they are wearing them and that the lenses are clean.



Place the TD Pilot on your mounting system or a stable surface in front of the user at, or slightly below, their eye level. If their head is tilted left or right, tilt the TD Pilot to match. It is important that the angle of the screen surface match the angle of the user's face. Most users, when seated at a table or desk, will need to have the TD Pilot positioned higher than the table surface.



You may need to refine the position of the device during the Calibrate steps on the next page. Always adjust the position of the device to suit the user, not the other way around.



Note

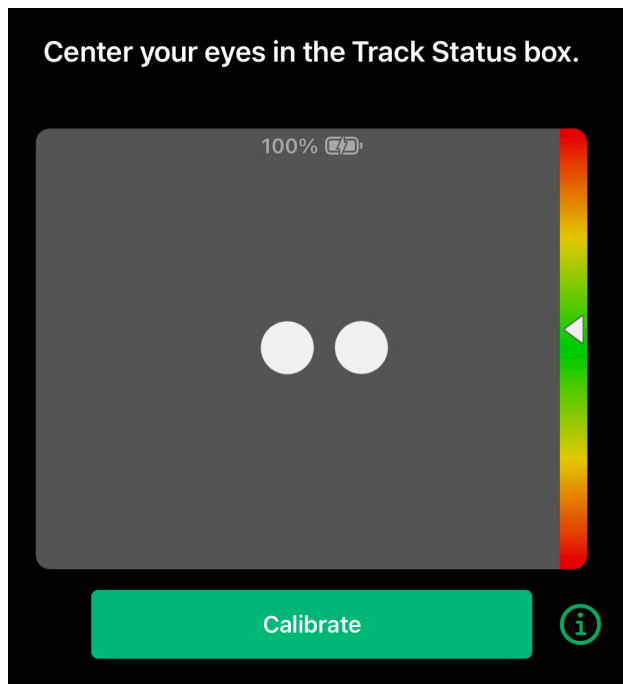
A mounting system is the best option for precise device positioning that is easy to adjust throughout the day. Several mounting options are available, including floor mounts, desk mounts, and wheelchair mounts. Visit [TobiiDynavox.com](https://www.tobii-dynavox.com) or contact your local Tobii Dynavox partner.

Calibrate

- 1 Tap the **CoPilot** app.



- 2 Follow the on-screen instructions in CoPilot to calibrate the eye tracker to the user's eyes.



- 3 When the user has finished calibrating, swipe up from the bottom of the screen to return to the Home screen.



The remaining steps should be carried out by the TD Pilot device user using eye gaze. As the helper, you will read the instructions aloud. Read at a pace that gives the device user sufficient time to make the selections with their eyes.

Try It Out

Your TD Pilot is now ready to use! Use your eyes to complete the tutorial below.



Open TD Talk

Use your eyes to select the **TD Talk** app.



Note

If you have trouble selecting with your eyes at this point, your assistant can tap the screen for you until you get into TD Talk. Eye gaze is a skill, so practice in TD Talk to get familiar.

Compose and Speak

Use eye gaze to say some words and phrases in TD Talk.

- Introduce yourself.
- Make a comment about the weather.
- Use the number keyboard to say your age or phone number.

Continue to the TD Talk Training Cards

Continue your set up journey with the TD Talk Training Cards. The tutorials and troubleshooting suggestions in the TD Talk Training Cards can help you improve your eye gaze experience and use TD Talk to communicate more quickly and effectively. You will also learn more about using AssistiveTouch to access other apps on your iPad using eye gaze.



TD Talk Training Cards

qrco.de/bdzoal



Note

Many funding sources require speech generating devices to be sold as dedicated (closed) devices. Closed devices have limited internet and app store access. Once a speech generating device is delivered to the user or their representative, they are permitted to open the device for an additional fee, giving them full access to the internet and the app store. If you would like to learn more about opening a closed device, visit us.tobiidynavox.com/pages/device-open-key or call **1-800-344-1778**.

Additional Resources

Scan the QR codes or use the links.



myTobiiDynavox
mytobiidynavox.com



Apple
apple.com/accessibility



TD Community
qrco.de/TDFB



**Tobii Dynavox Learning Hub
(English only)**
learn.tobiidynavox.com



TD Pilot User's Manual
qrco.de/PilotDocs



TD Pilot Support Page
qrco.de/PilotHelp



Software Training Cards
qrco.de/trainingcards



Documentation
TD CoPilot > Settings > Help



North America Technical Support
1-800-344-1778 ext. 1