

PV-23 Hose reel with a wall mounting plate



Description

Diameter 550 x depth 230 mm

A reel designed to be a fire hydrant. Includes a fire hydrant hose and a Handfighter nozzle. Equipped with a wall mounting bracket, a hose guide, a 1" shut-off valve and a rewinding knob.

Standard

Manufactured according to EN 671-1 standard specifications.

Surface finish

Epoxy powder coated.

Standard colours:

- grey (RAL 7040)
- white (RAL 9016)
- red (RAL 3020)

Hose

1. Fabric surface polyester/EPDM lightweight hose. Fulfils EN 694:2001 standard.
 - Operating pressure: 1,2 MPa
 - Burst pressure: 9 MPa
2. Nitrile/PVC fire hydrant hose reinforced with polyester webbing. Fulfils EN 694:2001 Type A Class 2 standard.
 - Operating pressure: 1,2 MPa
 - Burst pressure: 4 MPa

The hose assembly is equipped with a spray nozzle.

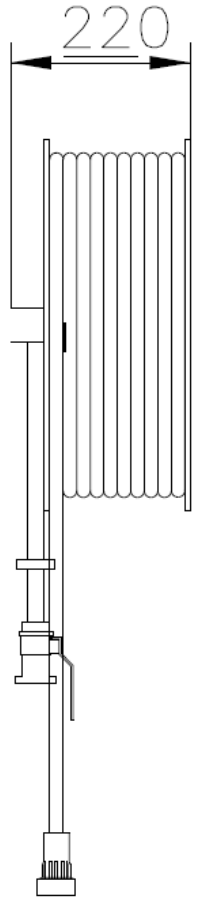
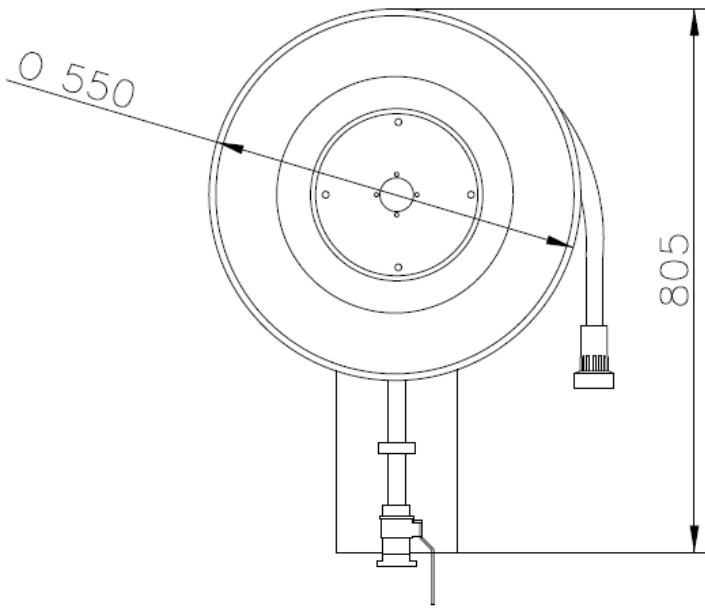
Reel

The reels are made from 1 mm steel and the hub of the reel is made from a special pressure-tested brass casting.

Hose size alternatives

Code	Model	Size
2956102	PV-23	19 mm/20 m
2956104	PV-23	19 mm/25 m
2956106	PV-23	19 mm/30 m
2956108	PV-23	19 mm/40 m
2956110	PV-23	19 mm/45 m
2956112	PV-23	25 mm/20 m
2956114	PV-23	25 mm/25 m
2956116	PV-23	25 mm/30 m
2956101	PV-23	Without a hose or nozzle

PV-23



Exploded view of the reel

