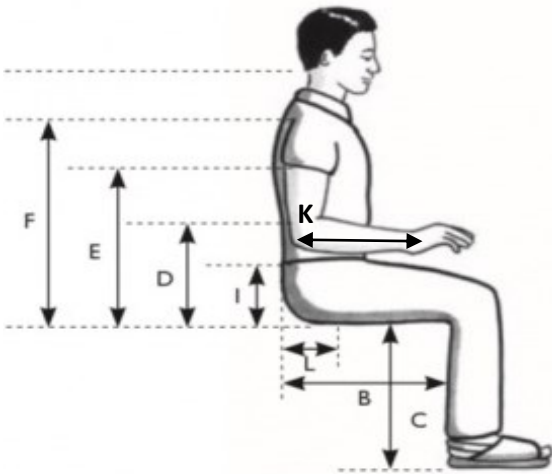
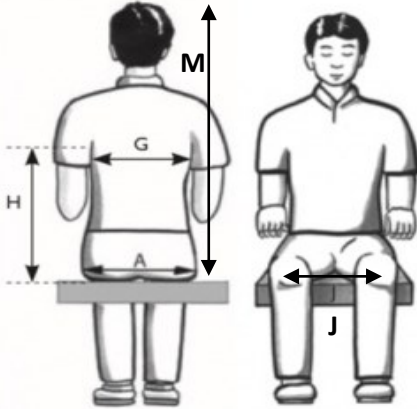


# Order form Baldertech



**baldertech**

## Balder F380 Tilt



### Dealer information

Reference nr.

Contact person:

email address:

### Client information and measurement

First name:

Weight:

Height:

A) Hip width:

B) Seat depth:

C) Calf Length:

D) Seat to Bottom of Rib Cage:

E) Seat to Bottom of Shoulder Blade:

F) Top of shoulders:

G) Chest width:

H) Seat to Axilla armpitt:

I) Seat to Top of Pelvis:

J) Distance between Knees:

K) Elbow to Wrist:

L) Back of Pelvis to Seat Bones:

M) Bottom to top of the Head:

Other:



Description	Article no.	Check box	
Balder F380 Tilt LiNX 10 Km/t	300296	<input checked="" type="checkbox"/>	Standard
Battery, 12V, Balder series (Alternative B)	445233	<input checked="" type="checkbox"/>	Standard
Charger, 24V/8-10A, El.Wheelchair.	445231	<input checked="" type="checkbox"/>	Standard
Lights, Front & Rear, LED Balder F/L/J	300578	<input checked="" type="checkbox"/>	Standard
Back,anti shear function, Balder F/L/J 240	HP20071194	<input checked="" type="checkbox"/>	Standard

# Order form Baldertech

<b>Joystick - Stýribúnaður</b>			
Joystick, LiNX, DLX-REM216-A	300209	<input checked="" type="checkbox"/>	Standard
Joystick, LiNX, DLX-REM400-A	300210	<input type="checkbox"/>	
Joystick fastner, Swing-away for REM216/REM400	<input type="checkbox"/> Right <input type="checkbox"/> Left	300286	<input checked="" type="checkbox"/> Standard
Display, LiNX, DLX-REM500-A	300231	<input type="checkbox"/>	
Fastner, DLX-REM500-A Specify in each case	<input type="checkbox"/> Right <input type="checkbox"/> Left		<input type="checkbox"/>
Switch Panel, LiNX, 10Way Switch Module	<input type="checkbox"/> Right <input type="checkbox"/> Left	300234	<input type="checkbox"/>

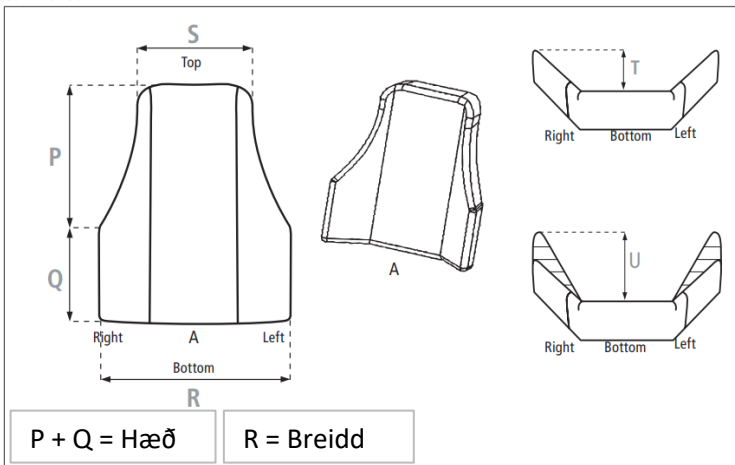
<b>Attendant control* - Aðstoðarmannastýring</b>			
Joystick, LiNX, DLX-ACU200-A, Attendant control	300230	<input type="checkbox"/>	
Attendant control, Hand support	HP20071065	<input type="checkbox"/>	
Attendant control, Emergency stop switch	HP20071066	<input type="checkbox"/>	
Control unit, Attendant control, LiNX, DLX-ACU200-A	300522	<input type="checkbox"/>	
*assembly can get in the way of other options			

<b>Special Control* - Sértekur stýribúnaður</b>			
Fastner chin control, Manual Swing Right Arm Bundle	300613	<input type="checkbox"/>	
Fastner chin control, Manual Swing Left Arm Bundle	300698	<input type="checkbox"/>	
Drive Input Module, LiNX	300409	<input type="checkbox"/>	
Multi Joystick Omni, DX, LiNX	300492	<input type="checkbox"/>	
Twister Bended Tube, (1500mm), Red	300498	<input type="checkbox"/>	
Twister Bended Tube, (300mm), Green	300494	<input type="checkbox"/>	
Base unit, 3-switch-driving, head control	HP20071064	<input type="checkbox"/>	

\*attendant control and steering device provides complete solution

## Back chassis and back cushion - Bakskel og bakpúði

Stærði í mm



Position	Comf 1	Comf 2	Comf 3	Comf 4	Comf 5	Comf 6
P	280	290	305	330	350	370
Q	160	170	195	210	230	250
R	400	400	420	440	460	480
S	270	270	290	310	330	350
T	50	50	50	50	50	50
U	110	110	110	110	110	110
A	240	240	260	280	300	320
P+Q	440	460	490	540	580	620

### Sketched special value

P =  
 Q =  
 R =  
 S =  
 T =  
 U =  
 A =  
 P + Q =

## Back chassis - standard bakskel

# Order form Baldertech

Back, chassis, Comfort 1 - B=40 x H=44cm	HP20071195	<input type="checkbox"/>	
Back, chassis, Comfort 2 - B=40 x H=46 cm	HP20071196	<input type="checkbox"/>	
Back, chassis, Comfort 3 - B=42 x H=49 cm	HP20071197	<input type="checkbox"/>	
Back, chassis, Comfort 4 - B=44 x H=54 cm	HP20071198	<input type="checkbox"/>	
Back, chassis, Comfort 5 - B=46 x H=58 cm	HP20071199	<input type="checkbox"/>	
Back, chassis, Comfort 6 - B=48 x H=62 cm	HP20071200	<input type="checkbox"/>	

*Set/sketched special value - Bakskel eftir máli:*

## Back pad, comfort - standard bakpúði

Back, pad, std, comfort 1, - B=40 x H=44cm	300399	<input type="checkbox"/>	
Back, pad, std, comfort 2, - B=40 x H=46 cm	300400	<input type="checkbox"/>	
Back, pad, std, comfort 3, - B=42 x H=49 cm	300401	<input type="checkbox"/>	
Back, pad, std, comfort 4, - B=44 x H=54 cm	300402	<input type="checkbox"/>	
Back, pad, std, comfort 5, - B=46 x H=58 cm	300403	<input type="checkbox"/>	
Back, pad, std, comfort 6, - B=48 x H=62 cm	300404	<input type="checkbox"/>	

*Set/sketched special value - eftir máli:*

## Back pad, big members - með hliðarstuðning

Back, pad, w/big side members, comfort 1, - B=40 x H=44cm	300419	<input type="checkbox"/>	
Back, pad, w/big side members, comfort 2, - B=40 x H=46 cm	300420	<input type="checkbox"/>	
Back, pad, w/big side members, comfort 3, - B=42 x H=49 cm	300421	<input type="checkbox"/>	
Back, pad, w/big side members, comfort 4, - B=44 x H=54 cm	300422	<input type="checkbox"/>	
Back, pad, w/big side members, comfort 5, - B=48 x H=62 cm	300423	<input type="checkbox"/>	
Back, pad, w/big side members, comfort 6, - B=48 x H=62 cm	300424	<input type="checkbox"/>	

*Set/sketched special value - eftir máli:*

## Back, pad, w/air lumbar support - með mjóbaksstuðning

Back, pad, w/air lumbar support, comfort 1, - B=40 x H=44cm	300530	<input type="checkbox"/>	
Back, pad, w/air lumbar support, comfort 2, - B=40 x H=46 cm	300531	<input type="checkbox"/>	
Back, pad, w/air lumbar support, comfort 3, - B=42 x H=49 cm	300532	<input type="checkbox"/>	
Back, pad, w/air lumbar support, comfort 4, - B=44 x H=54 cm	300533	<input type="checkbox"/>	
Back, pad, w/air lumbar support, comfort 5, - B=46 x H=58 cm	300534	<input type="checkbox"/>	
Back, pad, w/air lumbar support, comfort 6, - B=48 x H=62 cm	300535	<input type="checkbox"/>	

*Set/sketched special value - eftir máli:*

## Back, pad, w/air lumbar support big members - með hliðar- og mjóbaksstuðning

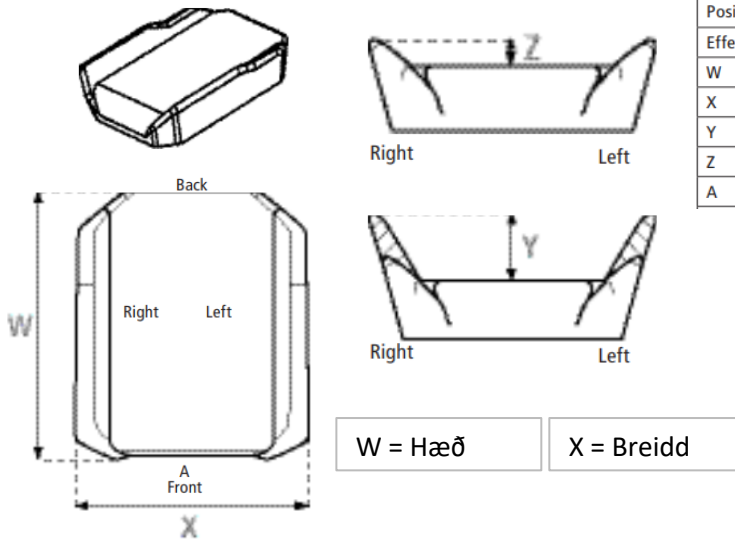
Back, pad, w/air lumbar, big side members, comf 1, - B=40 x H=44cm	300524	<input type="checkbox"/>	
Back, pad, w/air lumbar, big side members, comf 2, - B=40 x H=46 cm	300525	<input type="checkbox"/>	
Back, pad, w/air lumbar, big side members, comf 3, - B=42 x H=49 cm	300526	<input type="checkbox"/>	
Back, pad, w/air lumbar, big side members, comf 4, - B=44 x H=54 cm	300527	<input type="checkbox"/>	
Back, pad, w/air lumbar, big side members, comf 5, - B=46 x H=58 cm	300528	<input type="checkbox"/>	
Back, pad, w/air lumbar, big side members, comf 6, - B=48 x H=62 cm	300529	<input type="checkbox"/>	

*Set/sketched special value - eftir máli:*

# Order form Baldertech

## Back chassis and seat - Baskel og setpúðar

Stærði í mm



Position	Comf 1	Comf 2	Comf 3	Comf 4	Comf 5	Comf 6
Effektiv	400	425	450	475	500	525
W	425	450	475	500	525	540
X	400	400	420	440	460	480
Y	20	20	20	20	20	20
Z	70	70	70	70	70	70
A	300	330	350	370	390	410

### Sketched special valule

Effektiv =

W =

X =

Y =

Z =

Seat chassis - standard setskel			
Seat, chassis, comfort 1 (comp) - B=40 x D=40 cm	HP20071152	<input type="checkbox"/>	
Seat, chassis, comfort 2 (comp) - B=40 x D=42,5 cm	HP20071153	<input type="checkbox"/>	
Seat, chassis, comfort 3 (comp) - B=42 x D=45 cm	HP20071154	<input type="checkbox"/>	
Seat, chassis, comfort 4 (comp) - B=44 x D=47,5 cm	HP20071155	<input type="checkbox"/>	
Seat, chassis, comfort 5 (comp) - B=46 x D=50 cm	HP20071156	<input type="checkbox"/>	
Seat, chassis, comfort 6 (comp) - B=48 x D=52,5 cm	HP20071157	<input type="checkbox"/>	

Set/sketched special value - eftir máli:

Seat hard plate adj. - stillanleg flöt setplata			
Seat, hard plate,adj., W:38-42 D:38-45 Balder F/L	HP20071304	<input type="checkbox"/>	
Seat, hard plate,adj., W:42-45 D:45-52 Balder F/L	HP20071305	<input type="checkbox"/>	

Set/sketched special value - eftir máli:

Seat pad - standard setpúði			
Seat, pad, std, comfort 1, - B=40 x D=40 cm	300392	<input type="checkbox"/>	
Seat, pad, std, comfort 2, - B=40 x D=42,5 cm	300394	<input type="checkbox"/>	
Seat, pad, std, comfort 3, - B=42 x D=45 cm	300395	<input type="checkbox"/>	
Seat pad, Std. Comfort 4, - B=44 x D=47,5 cm	300396	<input type="checkbox"/>	
Seat, pad, std, comfort 5, - B=46 x D=50 cm	300397	<input type="checkbox"/>	
Seat, pad, std, comfort 6, - B=48 x D=52,5 cm	300398	<input type="checkbox"/>	

Set/sketched special value - eftir máli:

Seat pad big members - með hliðarstuðningi			
Seat, pad, w/big side members, comfort 1, - B=40 x D=40 cm	300433	<input type="checkbox"/>	
Seat, pad, w/big side members, comfort 2, - B=40 x D=42,5 cm	300434	<input type="checkbox"/>	
Seat, pad, w/big side members, comfort 3, - B=42 x D=45 cm	300435	<input type="checkbox"/>	
Seat, pad, w/big side members, comfort 4, - B=44 x D=47,5 cm	300436	<input type="checkbox"/>	
Seat, pad, w/big side members, comfort 5, - B=46 x D=50 cm	300437	<input type="checkbox"/>	
Seat, pad, w/big side members, comfort 6, - B=48 x D=52,5 cm	300438	<input type="checkbox"/>	

Set/sketched special value - eftir máli:

# Order form Baldertech

<b>Seat pad, pres. relief big side members - með þrýstijöfnun og hliðarstuðningi</b>			
Seat, pad, pres. relief w/big side members, comf 1, - B=40 x D=40 cm	300481	<input type="checkbox"/>	
Seat, pad, pres. relief w/big side members, comf 2, - B=40 x D=42,5 cm	300482	<input type="checkbox"/>	
Seat, pad, pres. relief w/big side members, comf 3, - B=42 x D=45 cm	300483	<input type="checkbox"/>	
Seat, pad, pres. relief w/big side members, comf 4, - B=44 x D=47,5 cm	300484	<input type="checkbox"/>	
Seat, pad, pres. relief w/big side members, comf 5, - B=46 x D=50 cm	300485	<input type="checkbox"/>	
Seat, pad, pres. relief w/big side members, comf 6, - B=48 x D=52,5 cm	300486	<input type="checkbox"/>	

*Set/sketched special value - eftir máli:*

<b>Seat pad, pressure relief - með þrýstijöfnun</b>			
Seat, pad, pressure relief, comfort 1, - B=40 x D=40 cm	300475	<input type="checkbox"/>	
Seat, pad, pressure relief, comfort 2, - B=40 x D=42,5 cm	300476	<input type="checkbox"/>	
Seat, pad, pressure relief, comfort 3, - B=42 x D=45 cm	300477	<input type="checkbox"/>	
Seat, pad, pressure relief, comfort 4, - B=44 x D=47,5 cm	300478	<input type="checkbox"/>	
Seat, pad, pressure relief, comfort 5, - B=46 x D=50 cm	300479	<input type="checkbox"/>	
Seat, pad, pressure relief, comfort 6, - B=48 x D=52,5 cm	300480	<input type="checkbox"/>	

*Set/sketched special value - eftir máli:*

<b>Incontinence cover - vatnshelt ver</b>			
Incontinence cover, Comfort 1, - B=40 x D=40 cm	300544	<input type="checkbox"/>	
Incontinence cover, Comfort 2, - B=40 x D=42,5 cm	300545	<input type="checkbox"/>	
Incontinence cover, Comfort 3, - B=42 x D=45 cm	300546	<input type="checkbox"/>	
Incontinence cover, Comfort 4, - B=44 x D=47,5 cm	300547	<input type="checkbox"/>	
Incontinence cover, Comfort 5, - B=46 x D=50 cm	300548	<input type="checkbox"/>	
Incontinence cover, Comfort 6, - B=48 x D=52,5 cm	300549	<input type="checkbox"/>	

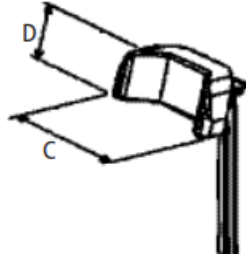
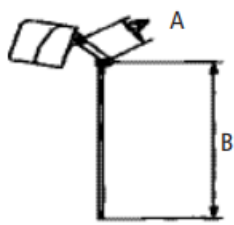
*Set/sketched special value - eftir máli:*

<b>Incontinence cover big members - vatnshelt ver fyrir setpúða með hliðarstuðningi</b>			
Incontinence cover, big side members, Comfort 1, - B=40 x D=40 cm	300550	<input type="checkbox"/>	
Incontinence cover, big side members, Comfort 2, - B=40 x D=42,5 cm	300551	<input type="checkbox"/>	
Incontinence cover, big side members, Comfort 3, - B=42 x D=45 cm	300552	<input type="checkbox"/>	
Incontinence cover, big side members, Comfort 4, - B=44 x D=47,5 cm	300553	<input type="checkbox"/>	
Incontinence cover, big side members, Comfort 5, - B=46 x D=50 cm	300554	<input type="checkbox"/>	
Incontinence cover, big side members, Comfort 6, - B=48 x D=52,5 cm	300555	<input type="checkbox"/>	

*Set/sketched special value - eftir máli:*

# Order form Baldertech

## Neck support - höfuðstuðningur

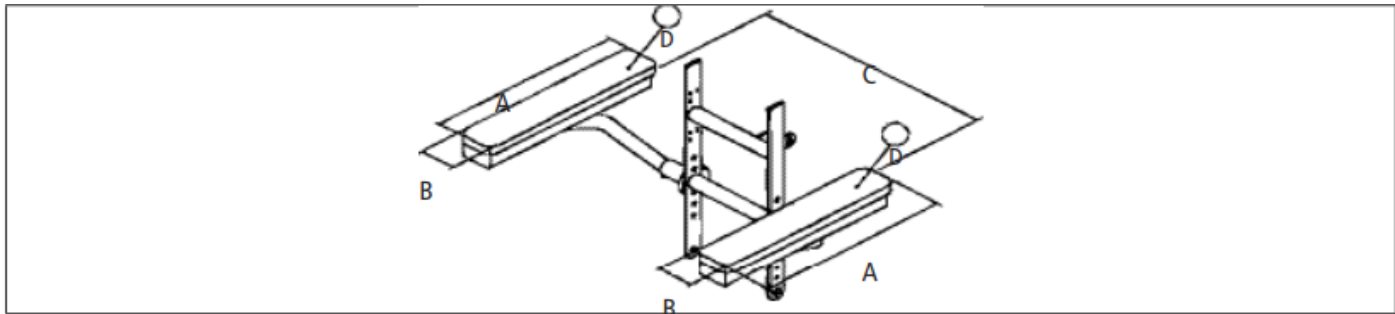


Position	Small	Big
A	60	60
B	260	260
C	180	230
D	90	110
E	60	75

Headrest, pad, 2020, Balder F/J	HP20071400	<input checked="" type="checkbox"/>	Standard
Headrest, pad, 2020, Balder J	300557	<input type="checkbox"/>	
Headrest, fastner, 2020, Balder F/J	HP20071414	<input checked="" type="checkbox"/>	Standard
Locking handels for neck support 2020	300710	<input type="checkbox"/>	

Set/sketches special value - eftir máli:

## Arms and armrest fastner - Armfesting og armpúðar



Position	Comfort 1-2	Comfort 3-4	Comfort 5-6	Preferred measurments
A	300	375	450	
B	75	75	75	
C	400	440	480	
D	Rubber	Rubber	Rubber	

Armlene plassering	Measurement from seat frame		Info: Armrests are palced in hole 3 on Comfort 3-6 and hole 2 på Comfort 1-2 as standard
	Standard	Height adj.	
Hole 1 fra Seat	265	290-190	Tilt chair: Armrest follows the seat frame Stand up: Armrest follows the back
Hole 2 fra Seat	290	315-215	
Hole 3 fra Seat	315	340-240	
Hole 4 fra Seat	340	365-265	
Hole 5 fra Seat	365	390-290	

### Armrest fastner

Armrest fastner, flip-up, height adj. Comfort 1-2	HP20071040	<input type="checkbox"/>	
Armrest fastner, flip-up, height adj. Comfort 3-4	HP20071041	<input type="checkbox"/>	
Armrest fastner, flip-up, height adj. Comfort 5-6	HP20071042	<input type="checkbox"/>	
Armrest fastner, flip-up, height adj. Recaro	HP20071047	<input type="checkbox"/>	
If special size of seat- and backcushion is chosen, mark here			

Set/sketches special value - eftir máli:

# Order form Baldertech

## Armrest pad - armpúði

Armrest pad, RH/LH, molded w/c- rail (L:375mm W:80mm)	480380	<input type="checkbox"/>	
Armrest pad, RH/LH, molded w/c-rail (L:455mm W:80mm)	480382	<input type="checkbox"/>	
<b>Armrest pad soft foam - með mjúkum svampi</b>			
Armrest pad , Comfort 1-2, Soft foam - L:300mm x W:75mm	HP20070200	<input type="checkbox"/>	
Armrest pad , Comfort 3-4, Soft foam - L:375mm x W:75mm	HP20070201	<input type="checkbox"/>	
Armrest pad , Comfort 5-6, Soft foam - L:450mm x W:75mm	HP20070202	<input type="checkbox"/>	
<b>Armrest pad soft foam w/ profile - með mjúkum svampi</b>			
Armrest pad , Comfort 1-2, Soft foam, w/profile R - L:300mm x W:75mm	HP20070203	<input type="checkbox"/>	
Armrest pad , Comfort 1-2, Soft foam, w/profile L - L:300mm x W:75mm	HP20070204	<input type="checkbox"/>	
Armrest pad , Comfort 3-4, Soft foam, w/profile R - L:375mm x W:75mm	HP20070205	<input type="checkbox"/>	
Armrest pad , Comfort 3-4, Soft foam, w/profile L - L:375mm x W:75mm	HP20070206	<input type="checkbox"/>	
Armrest pad , Comfort 5-6, Soft foam, w/profile R - L:450mm x W:75mm	HP20070207	<input type="checkbox"/>	
Armrest pad , Comfort 5-6, Soft foam, w/profile L - L:450mm x W:75mm	HP20070208	<input type="checkbox"/>	
<b>Armrest pad soft foam w/ profile - með mjúkum svampi</b>			
Armrest pad , Comfort 1-2, w/profile R - L:300mm x W:75mm	HP20070209	<input type="checkbox"/>	
Armrest pad , Comfort 1-2, w/profile L - L:300mm x W:75mm	HP20070210	<input type="checkbox"/>	
Armrest pad , Comfort 3-4, w/profile R - L:375mm x W:75mm	HP20070211	<input type="checkbox"/>	
Armrest pad , Comfort 3-4, w/profile L - L:375mm x W:75mm	HP20070212	<input type="checkbox"/>	
Armrest pad , Comfort 5-6, w/profile R - L:450mm x W:75mm	HP20070213	<input type="checkbox"/>	
Armrest pad , Comfort 5-6, w/profile L - L:450mm x W:75mm	HP20070214	<input type="checkbox"/>	
<b>Armrest pad, C-rail</b>			
Armrest pad , Comfort 1-2, Soft foam, C-rail - L:300mm x W:75mm	300707	<input type="checkbox"/>	
Armrest pad , Comfort 3-4, Soft foam, C-rail - L:375mm x W:75mm	300708	<input type="checkbox"/>	
Armrest pad , Comfort 5-6, Soft foam, C-rail - L:450mm x W:75mm	300709	<input type="checkbox"/>	
Armrest pad, foam, C-rail, RH, Balder size 3-4/E800 L:375mm W:75mm	12724	<input type="checkbox"/>	
Armrest pad, foam, C-rail, LH, Balder size 3-4/E800 L:375mm W:75mm	12725	<input type="checkbox"/>	
Armrest pad, soft foam, C-rail, RH, Balder size 1-2/E800 L:315mm, W:75mm	300701	<input type="checkbox"/>	
Armrest pad, soft foam, C-rail, LH, Balder size 1-2/E800 L:315mm, W:75mm	300702	<input type="checkbox"/>	
Armrest pad, soft foam, C-rail, RH, Balder size 3-4/E800 L:375mm W:75mm	300703	<input type="checkbox"/>	
Armrest pad, soft foam, C-rail, LH, Balder size 3-4/E800 L:375mm W:75mm	300704	<input type="checkbox"/>	
Armrest pad, soft foam, C-rail, RH, Balder size 5-6/E800 L:465mm, W:75mm	300705	<input type="checkbox"/>	
Armrest pad, soft foam, C-rail, LH, Balder size 5-6/E800 L:465mm, W:75mm	300706	<input type="checkbox"/>	

Set/sketched special value - eftir máli:

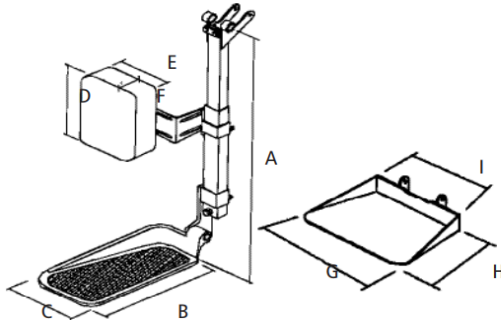
# Order form Baldertech

## Footrest and footplates - Fótahvílur og plötur

Info: A: measures in 90. Can be shortened by 50mm by removing calf pad.

A measures footplate with el lengthcompensation:

100mm A= 330-520  
150mm A= 330-570  
200mm A= 330-620



### Sketched special value

Effektiv =

W =

X =

Y =

Z =

<b>Legrest base unit el lengthcomp - miðjudrifnar fótahvílur</b>			
Legrest, base unit, el. lengthcomp. 100mm (comp) - Lengd 33-52 cm	HP20071051	<input type="checkbox"/>	
Legrest, base unit, el. lengthcomp. 150mm (comp) - Lengd 33-57 cm	HP20071052	<input type="checkbox"/>	
Legrest, base unit, el. lengthcomp. 200mm (comp) - Lengd 33-62 cm	HP20071053	<input type="checkbox"/>	
<b>Divided footplate - Tvískiptar fótaþlötur</b>			
Footplate, divided, right, large (D:22cm)	HP20071054	<input type="checkbox"/>	
Footplate, divided, left, large (D:22cm)	HP20071055	<input type="checkbox"/>	
Footplate, divided, right, small (D:16cm)	HP20071056	<input type="checkbox"/>	
Footplate, divided, left, small (D:16cm)	HP20071057	<input type="checkbox"/>	
<i>Set/sketched special value - eftir máli:</i>			
<b>Footplate size: length x width =</b>			
<b>Space between footplates =</b>			
<i>*for special size alteration or upholstery, see special adaption on page X</i>			

### Single footplate - Heil fótaþlöta

Footplate, single, Balder F/L	HP20071058	<input type="checkbox"/>	
Footplate, single, Balder J	HP20071059	<input type="checkbox"/>	
<i>Set/sketched special value - eftir máli:</i>			
<b>Single footplate size: length x width =</b>			
Wheels for legrest, (for el.footrests)	HP20071315	<input checked="" type="checkbox"/>	

### Calf pad

Calf pad, moulded (large:W:12 H:22), complete	HP20071060	<input type="checkbox"/>	
Calf pad, moulded (small:W:12 H:16), complete	HP20071061	<input type="checkbox"/>	

*Set/sketched special value - eftir máli:*

### Belts - Belti

Belt, hip safety w/reel, Balder F/L	HP20071101	<input type="checkbox"/>	
Belt, hip safety w/auto lock	HP20071104	<input type="checkbox"/>	
Belt, shoulder strap for 4-point harness, F_L_J_Recaro	HP20071105	<input type="checkbox"/>	



# Order form Baldertech

Belt, chest harness, Balder F/L	HP20071106	<input type="checkbox"/>	
Belt, chest harness, w/upholstery Balder F/L	HP20070225	<input type="checkbox"/>	
Belt, chest harness, w/upholstery Balder J	HP20070226	<input type="checkbox"/>	
Belt, hip safety w/reel, Balder J	HP20071102	<input type="checkbox"/>	
Belt, chest harness, Balder J	HP20071107	<input type="checkbox"/>	
Specified solution			

## Knee support - hnéstuðningur

Knee-support Pad, Comfort 1-2	HP20071130	<input type="checkbox"/>	
Knee-support Pad w/ auto lock, Comfort 1-2	HP20071131	<input type="checkbox"/>	
Knee-support Pad, Comfort 3-6	HP20071132	<input type="checkbox"/>	
Knee-support Pad w/ auto lock, Comfort 3-6	HP20071133	<input type="checkbox"/>	
Specified solution			

## Clamp down unit - Bílafestingar

Clamp down unit, wheelchair unit incl. panel, F/J	HP20071075	<input type="checkbox"/>	
Clamp down unit, spigot unit, F/J	HP20071076	<input type="checkbox"/>	
Clamp down unit, wheelchair unit for EZ-Lock	HP20071079	<input type="checkbox"/>	
Clamp down unit, undercarriage for car seat	HP20071080	<input type="checkbox"/>	
Dahls Docking, wheelchair unit, compl. with locking plate	HP20071412	<input type="checkbox"/>	
Dahls Docking, wheelchair unit, without locking plate	HP20071413	<input type="checkbox"/>	

Specified solution

## Tray - Hjólástólaborð\*

Tray, F/L, swingaside, small, right hand side	HP20071081	<input type="checkbox"/>	
Tray, F/L, swingaside, small, left hand side	HP20071082	<input type="checkbox"/>	
Tray, F/L, swingaside, Comfort 1-2, right hand side	HP20071083	<input type="checkbox"/>	
Tray, F/L, swingaside, Comfort 1-2, left hand side	HP20071084	<input type="checkbox"/>	
Tray, F/L, swingaside, Comfort 3-4, right hand side	HP20071085	<input type="checkbox"/>	
Tray, F/L, swingaside, Comfort 3-4, left hand side	HP20071086	<input type="checkbox"/>	
Tray, F/L, swingaside, Comfort 5-6, right hand side	HP20071087	<input type="checkbox"/>	
Tray, F/L, swingaside, Comfort 5-6, left hand side	HP20071088	<input type="checkbox"/>	
Tray, centre mount on seat, Comfort 1-2 Balder F/L	HP20070222	<input type="checkbox"/>	
Tray, centre mount on seat, Comfort 3-4 Balder F/L	HP20070223	<input type="checkbox"/>	
Tray, centre mount on seat, Comfort 5-6 Balder F/L	HP20070224	<input type="checkbox"/>	
<i>If special size of seat- and backcushion is chosen, mark here</i>		<input type="checkbox"/>	
Custom-made, tray, Balder	HP20083032	<input type="checkbox"/>	

Specified solution

\*Table Mounted opposite side of joystick

## Other accessories - Aðrir aukahlutir

*Various accessories Keep in mind positioning of the handbag and the right or left mounting crutch holder			
Seat stabilizer, Balder F, Tilt, LINX	300505	<input type="checkbox"/>	

# Order form Baldertech

Seat stabilizer, Balder F Stand up function DX og LINX			300506	<input type="checkbox"/>	
Crutch fitting, under armrests 1 crutch	<input type="checkbox"/> Right	<input type="checkbox"/> Left	HP20071091	<input type="checkbox"/>	
Crutch fitting, under armrests 2 crutch	<input type="checkbox"/> Right	<input type="checkbox"/> Left	HP20071092	<input type="checkbox"/>	
Crutch fitting, w/strap 2 crutch	<input type="checkbox"/> Right	<input type="checkbox"/> Left	HP20071093	<input type="checkbox"/>	
Crutch fitting on back, R.H. side	<input type="checkbox"/> Right	<input type="checkbox"/> Left	HP20070230	<input type="checkbox"/>	
Lights, Front & Rear LED w/Indicators, Balder F/L/J			300615	<input type="checkbox"/>	
Basket, removable, fitted to back F/L/J			HP20071097	<input type="checkbox"/>	
Bag, armrest F/L/J/E800	<input type="checkbox"/> Right	<input type="checkbox"/> Left	HP20071109	<input type="checkbox"/>	
Bag, with zipper F/L/J/E800	<input type="checkbox"/> Right	<input type="checkbox"/> Left	HP20071110	<input type="checkbox"/>	
Backpack, black, Balder F/L			HP20071112	<input type="checkbox"/>	
Backpack, black, Balder J			HP20071113	<input type="checkbox"/>	
Mounting bracket, backpack/basket Balder F/L			HP20071098	<input type="checkbox"/>	
Support Pads, Seat Back, Comfort 1-3 - 8 cm x 12 cm	<input type="checkbox"/> Right	<input type="checkbox"/> Left	HP20071117	<input type="checkbox"/>	
Support Pads, Seat Back, Comfort 4-6 - 10 cm x 15 cm	<input type="checkbox"/> Right	<input type="checkbox"/> Left	HP20071118	<input type="checkbox"/>	
Support Pads, Knee/Thigh, 10x15 Comfort	<input type="checkbox"/> Right	<input type="checkbox"/> Left	HP20071125	<input type="checkbox"/>	
Abduction pad, Removable, height adjustable, F/L			HP20071126	<input type="checkbox"/>	
Abduction pad, Removable, w/velcro, F/L			HP20071127	<input type="checkbox"/>	
Emergency stop switch, Balder F/L/J	<input type="checkbox"/> Right	<input type="checkbox"/> Left	HP20071136	<input type="checkbox"/>	
Mirror, foldable, right hand, complete, Balder F/L/J			HP20071137	<input type="checkbox"/>	
Mirror, foldable, left hand, complete, Balder F/L/J			HP20071138	<input type="checkbox"/>	
Anti Crush Guard, Balder F/J			HP20071139	<input type="checkbox"/>	
Wheel 3.00-8, rough Pattern w/air complete (F/J)			11578	<input type="checkbox"/>	
Wheel 3.00-8, rough Pattern w/ flex (F/J)			11579	<input type="checkbox"/>	
Wheel 2.50-3 w/air, complete (F/B/J)			631	<input type="checkbox"/>	
Wheel 3.00-8 w/air complete (F/J)			4627	<input type="checkbox"/>	

Special adaptations

## Special adaptations - sértæk aðlögun

<b>Attendant control</b>					
Custom-made, attendant control, Hand support, Balder			HP20083114	<input type="checkbox"/>	
Custom-made, attendant control, Emergency stop switch, Balder			HP20083115	<input type="checkbox"/>	
<b>Crutch fitting/hook/tray</b>					
Custom-made, crutch fitting on back, Balder			HP20083069	<input type="checkbox"/>	
Custom-made, carabiner hook fitting on back, Balder			HP20083065	<input type="checkbox"/>	
Custom-made, tray, upholstery of plate, Balder			HP20083029	<input type="checkbox"/>	
Custom-made, mounting bracket, backpack/basket Balder F/L			HP20081098	<input type="checkbox"/>	
<b>Seat</b>					
Custom-made, hard plate seat, Balder F/L/J			HP20083152	<input type="checkbox"/>	
Custom-made, hard plate seat, elastic bottom, Balder			HP20085049	<input type="checkbox"/>	
<b>Armrest</b>					
Custom-made, el. flip-up armrest, Balder			HP20083009	<input type="checkbox"/>	

# Order form Baldertech

Custom-made, el. up/down armrest, Balder	HP20083017	<input type="checkbox"/>	
Custom-made, armrest mounting on seat frame F/L	HP20083011	<input type="checkbox"/>	
Custom-made, upgrade of armrest bolts M12, Balder	HP20083004	<input type="checkbox"/>	
Custom-made, armrest pad, Balder F/L/J	HP20083001	<input type="checkbox"/>	
Custom-made, removable armrest covers, Balder	HP20083012	<input type="checkbox"/>	
<b>Footrest</b>			
Custom-made, size alteration divided footplate, Balder F/L/J	HP20083079	<input type="checkbox"/>	
Custom-made, size alteration single footplate, Balder F/L/J	HP20083080	<input type="checkbox"/>	
Custom-made, el. flip, single footplate, Balder	HP20083083	<input type="checkbox"/>	
Custom-made, el. legrest, base unit, el. lengthcomp., Balder	HP20083085	<input type="checkbox"/>	
Custom-made, upholstery of divided footplate, Balder	HP20083090	<input type="checkbox"/>	
Custom-made, upholstery, single footplate, Balder	HP20083091	<input type="checkbox"/>	
<b>Seat/Support pads</b>			
Custom-made, back pad F/L/J	HP20083149	<input type="checkbox"/>	
Custom-made, seat pad F/L/J	HP20083155	<input type="checkbox"/>	
Custom-made, headrest pad, Balder F/L/J	HP20083127	<input type="checkbox"/>	
Custom-made, back chassis F/L/J	HP20083148	<input type="checkbox"/>	
Custom-made, seat chassis F/L/J	HP20083154	<input type="checkbox"/>	
Custom-made, headrest bracket, Balder F/L	HP20083126	<input type="checkbox"/>	
Custom-made, foam keyway w/cover, Balder F/L/J	HP20083160	<input type="checkbox"/>	
Custom-made, support pad incl. brackets, Balder	HP20083161	<input type="checkbox"/>	
Custom-made, size alteration abduction pad, Balder	HP20083156	<input type="checkbox"/>	
Custom-made, fabric back pad cover, Balder	HP20083200	<input type="checkbox"/>	
Custom-made, fabric seat pad cover, Balder	HP20083201	<input type="checkbox"/>	
Custom-made, fabric headrest pad, Balder	HP20083199	<input type="checkbox"/>	
Custom-made, incontinence cover, Balder	HP20083163	<input type="checkbox"/>	
<b>Belt</b>			
Custom-made, belt, Balder	HP20083023	<input type="checkbox"/>	
Custom-made, upholstery of safety belt, Balder	HP20083020	<input type="checkbox"/>	
<b>Various</b>			
Custom-made, bracket, Balder	HP20083035	<input type="checkbox"/>	
Custom-made, switch panel, extra functions, Balder H	HP20083042	<input type="checkbox"/>	
Custom-made, headrest bracket, Balder F/L	HP20083126	<input type="checkbox"/>	
Relay steering, extra functions, Balder	HP20083251	<input type="checkbox"/>	
Custom-made, handle/knob for transfer, Balder	HP20083133	<input type="checkbox"/>	
Custom-made, bracket for intravenous feeding, Balder	HP20083243	<input type="checkbox"/>	
Custom-made, Joystick fastner, swing away, Balder	HP20083119	<input type="checkbox"/>	
Specified solution			

\*specified solutions. Remember to check / enumerate the changes to be made beyond the standard supplied type selection.