

 **Netti**[®] III FAMILY
COMFORT

Netti[®]
BY ALU REHAB

SPARE PARTS & ACCESSORIES

 **Netti**[®] III
COMFORT

 **Netti**[®] III HD
COMFORT

 **Netti**[®] III EL
COMFORT



Enable joy of life

My-Netti.com

2020-02



Designed in Norway



LOOKING FOR CUSHIONS?

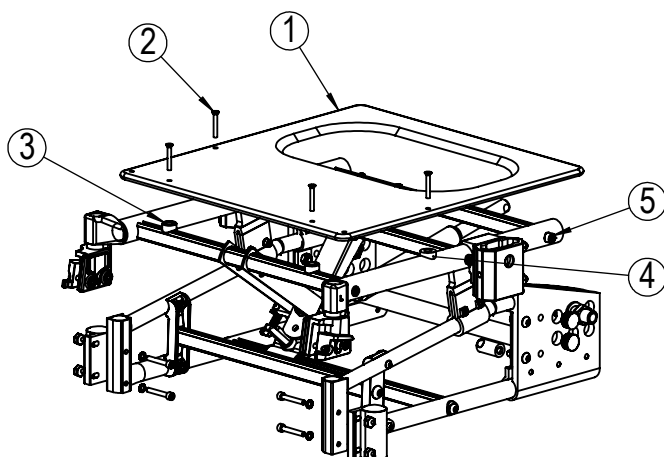
Please see separate catalogue with our complete range of cushions.

SPARE PARTS & ACCESSORIES

- Frame.....3
- Back unit and accessories4
- Solution for seat and back9
- Head Support12
- Arm Support17
- Leg Support21
- Wheel, castors & accessories 38
- Electrical components 45
- Trays 46
- Belts and harnesses 48
- Other accessories..... 51

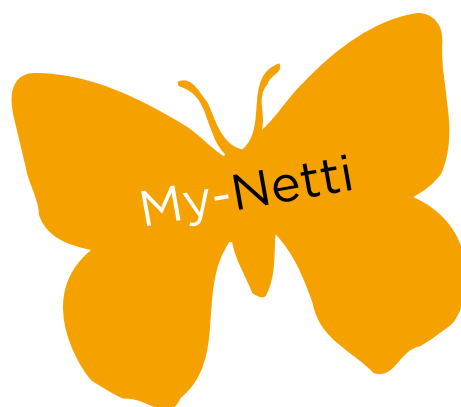
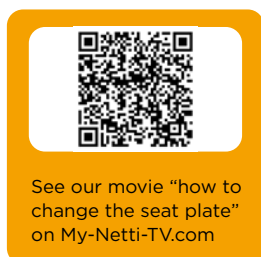


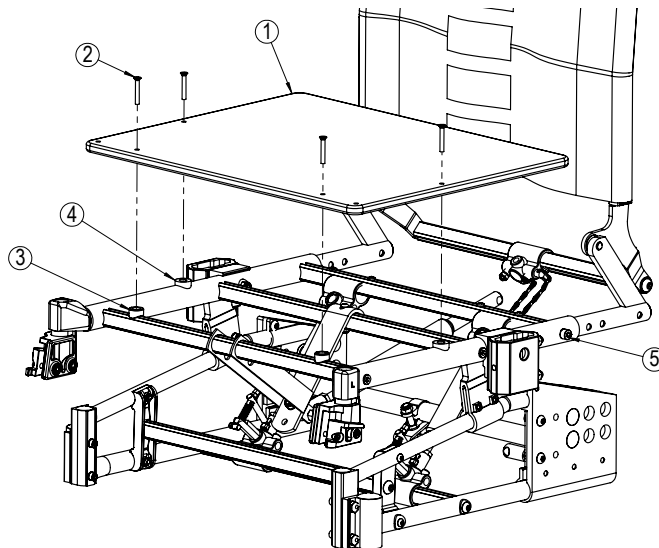
Welcome to this catalogue which makes it easy for you to find the right product for your wheel-chair. It provides you with a complete overview of the available accessories as well as spare parts. If you have any questions please don't hesitate to call us or send us an email.



COMFORT SEAT PLATE

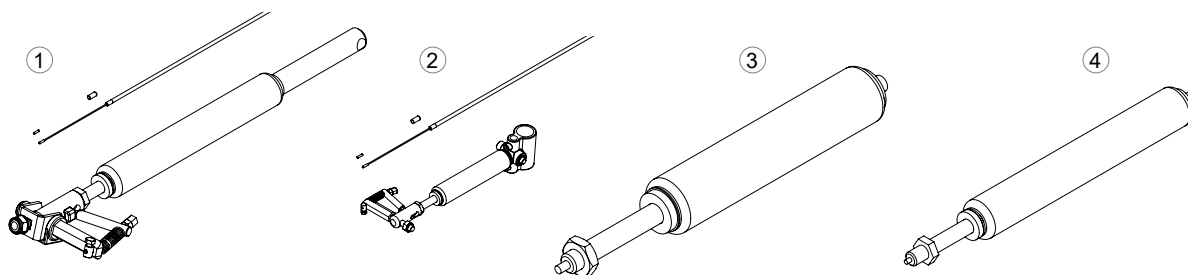
Position	Description	Item no.	Pcs. per chair
1	Comfort seat plate. Width: 35 cm. Depth: 40 cm	20176	1
1	Comfort seat plate. Width: 35 cm. Depth: 46 cm	20612	1
1	Comfort seat plate. Width: 38 cm. Depth: 40 cm	20910	1
1	Comfort seat plate. Width: 38 cm. Depth: 46 cm	20758	1
1	Comfort seat plate. Width: 38 cm. Depth: 53 cm	23165	1
1	Comfort seat plate. Width: 40 cm. Depth: 40 cm	20911	1
1	Comfort seat plate. Width: 40 cm. Depth: 46 cm	20550	1
1	Comfort seat plate. Width: 40 cm. Depth: 53 cm	21216	1
1	Comfort seat plate. Width: 43 cm. Depth: 40 cm	20195	1
1	Comfort seat plate. Width: 43 cm. Depth: 46 cm	20551	1
1	Comfort seat plate. Width: 43 cm. Depth: 53 cm	21217	1
1	Comfort seat plate. Width: 45 cm. Depth: 40 cm	20196	1
1	Comfort seat plate. Width: 45 cm. Depth: 46 cm	20552	1
1	Comfort seat plate. Width: 45 cm. Depth: 53 cm	21218	1
1	Comfort seat plate. Width: 50 cm. Depth: 40 cm	20197	1
1	Comfort seat plate. Width: 50 cm. Depth: 46 cm	20553	1
1	Comfort seat plate. Width: 50 cm. Depth: 53 cm	21219	1
2	Screw M5 x 35 mm	22098	4
3	Frame Seat plate Washer til Comfort seat plate, high	24141	2
4	Frame Seat plate Washer til Comfort seat plate, low	22084	2
5	Bolt Hex socket Head DIN912 M8x40 mm	21095	6





SOLID SEAT PLATE

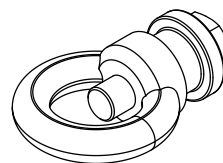
Position	Description	Item no.	Pcs. per chair
1	Solid seat plate. Width: 55 cm. Depth: 40 cm	20759	1
1	Solid seat plate. Width: 55 cm. Depth: 46 cm	20635	1
1	Solid seat plate. Width: 55 cm. Depth: 53 cm	21235	1
1	Solid seat plate. Width: 60 cm. Depth: 40 cm	20616	1
1	Solid seat plate. Width: 60 cm. Depth: 46 cm	20617	1
1	Solid seat plate. Width: 60 cm. Depth: 53 cm	21236	1
2	Screw M5 x 35 mm	22098	4
3	Adjustment piece for solid seat plate, High	24141	2
4	Adjustment piece for solid seat plate, Low	22084	2
5	Bolt hex socket Head DIN912 M8x40 mm	21095	6



GAS CYLINDER

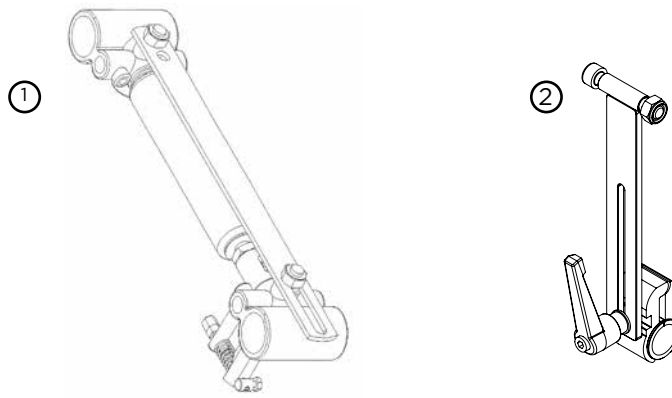
Position	Description	Item no.	Pcs. per chair
1	Recline cylinder with wire complete	84739	1
2	Tilt cylinder with wire complete	25514	1
3	Tilt cylinder	23273-M	1/2*
4	Recline cylinder	23274-M	1
	Wire for tilt/recline 1400/ 1550 mm	27628	2

* 2 for Netti III HD.
For chairs with 45° tilt, please call us.



TRANSPORT OF WHEELCHAIR

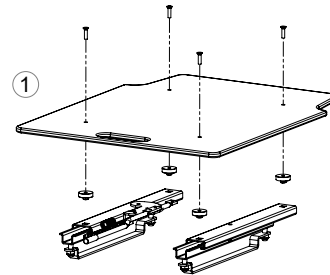
Position	Description	Item no.	Pcs. per chair
1	Car fastening (car)	21074	1



RESTRICTORS FOR GAS CYLINDERS

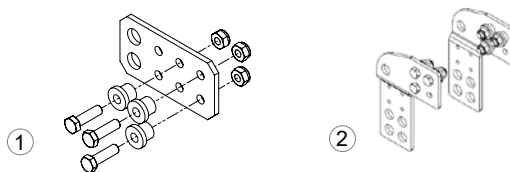
Position	Description	Item no.	Pcs. per chair
1	Tilt restrictor	21032	1*
2	Tilt lock	43032	1

* 2 pieces by Netti III HD



SLIDING SEAT PLATE

Position	Description	Item no.	Pcs. per chair
1	Sliding seat plate. Width: 35 cm. Depth: 51 cm	22029	1
1	Sliding seat plate. Width: 38 cm. Depth: 51 cm	22030	1
1	Sliding seat plate. Width: 40 cm. Depth: 51 cm	22031	1
1	Sliding seat plate. Width: 43 cm. Depth: 51 cm	22027	1
1	Sliding seat plate. Width: 45 cm. Depth: 51 cm	22032	1
1	Sliding seat plate. Width: 50 cm. Depth: 51 cm	22033	1
1	Sliding seat plate. Width: 55 cm. Depth: 51 cm	22034	1
1	Sliding seat plate. Width: 60 cm. Depth: 51 cm	22035	1



FRAME EXTENDER SET

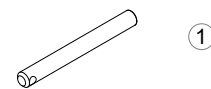
Position	Description	Item no.	Pcs. per chair
1*	Frame extender set complete right and left	20824	1
2**	Frame extender set complete right and left for 12" drum break	25845	1

* Must be ordered with brakes for frame extender (page 32) and extra long anti tip (page 34).

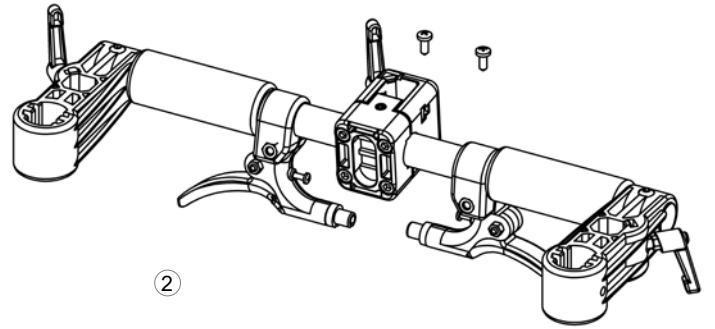
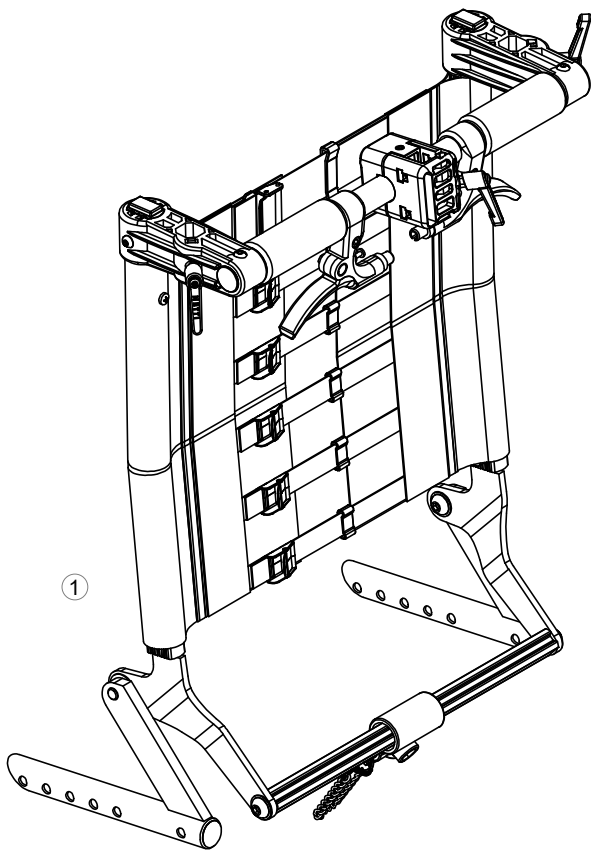
** Must be ordered with extra long anti tip (page 34).

BACK LOCKING HEAD

Position	Description	Item no.	Pcs. per chair
1	Back locking head, 38 mm for SD 40 and 42,5 cm	20383	1
1	Back locking head, 96 mm for SD 45, 47,5 and 50 cm	21888	1
1	Back locking head, 166 mm for special SD 52,5-57,5 cm	23888	1

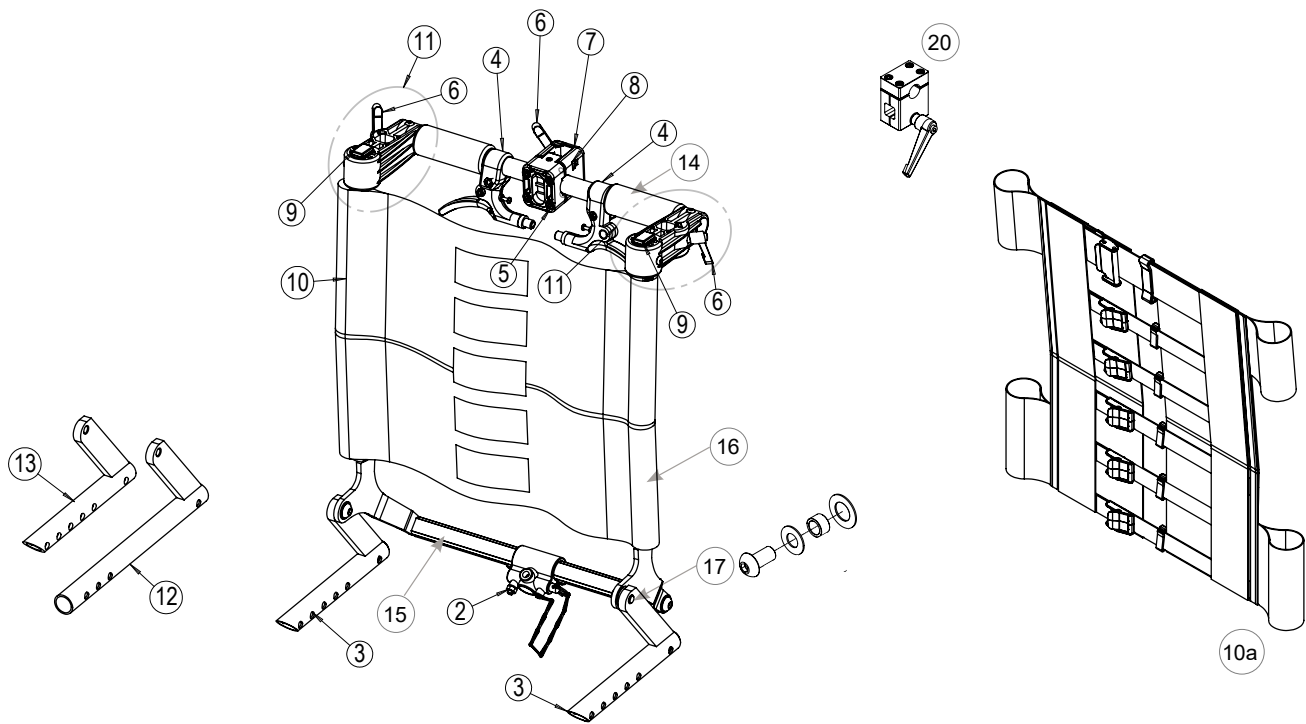


See our movie "Mounting Frame extender and brakes" on My-Netti-TV.com



BACKREST

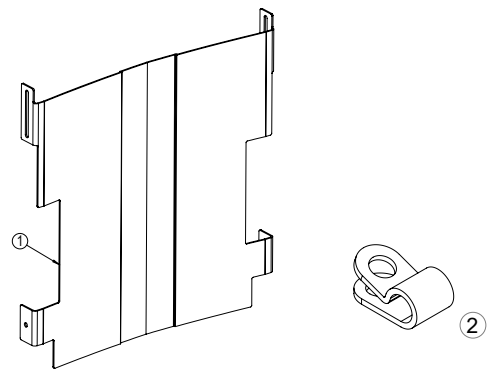
Position	Description	Item no.	Pcs. per chair
1	Backrest 35 cm Netti III complete	26912	1
1	Backrest 38 cm Netti III complete	26913	1
1	Backrest 40 cm Netti III complete	26914	1
1	Backrest 43 cm Netti III complete	26915	1
1	Backrest 45 cm Netti III complete	26916	1
1	Backrest 50 cm Netti III complete	26917	1
1	Backrest 55 cm Netti III complete	26918	1
1	Backrest 60 cm Netti III complete	26919	1
2	Push bow with rubber and head support adapter, complete 35 cm	88307	1
2	Push bow with rubber and head support adapter, complete 38 cm	88308	1
2	Push bow with rubber and head support adapter, complete 40 cm	88309	1
2	Push bow with rubber and head support adapter, complete 43 cm	88310	1
2	Push bow with rubber and head support adapter, complete 45 cm	88311	1
2	Push bow with rubber and head support adapter, complete 50 cm	88312	1
2	Push bow with rubber and head support adapter, complete 55 cm	88313	1
2	Push bow with rubber and head support adapter, complete 60 cm	88314	1



BACKREST

Position	Description	Item no.	Pcs. per chair
2	Cylinder hinge	20433	1
3	Back hinge bracket 220 mm, standard	22062	2
4	Release handle, left for Netti III	20464	1
4	Release handle, right for Netti III	20463	1
4	Release handle for Netti III HD	80850	2
5	Screw M6 x 40 mm	20431	4
6	Clamp lever M6 x 16 mm, depth adjustable	20097	3
7	Head support adapter	23005	1
8	Square nut M6	20296	7
9	Plug 25x15 mm	21847	2
10	Netti Velcro width 35-50 cm	88772	1
10	Netti Velcro width 50-75 cm	88773	1
10a	Netti Velcro with cut for side supports, width 35-50 cm	44992	1
10a	Netti Velcro with cut for side supports, width 50-75 cm	44993	1
11	Backrest push bar bracket	26051	2
12	Backrest hinge extra long, width 51-56 cm, 290 mm (see mounting video on my-netti-tv.com)	20480	2
13	Backrest hinge reinforced, 220 mm, 5 holes	24206	2
14	Rubber grip, width 35-38 cm	20977	2
14	Rubber grip, width 40-43 cm	20925	2
14	Rubber grip, width 45-50 cm	20856	2
14	Rubber grip, width 55-60 cm	28792	2
15	Cross connection back, width 35 cm	20150	1
15	Cross connection back, width 38 cm	20151	1
15	Cross connection back, width 40 cm	20152	1
15	Cross connection back, width 43 cm	20153	1
15	Cross connection back, width 45 cm	20154	1
15	Cross connection back, width 50 cm	20155	1
16	Back pipe complete, incl. backrest push bar bracket, left	26908	1
16	Back pipe complete, incl. backrest push bar bracket, right	26909	1
17	Back hinge screw kit	84725	2
20	Head support adapter, aluminium	82025	1





FIXED BACKREST PLATE ALUMINIUM

Position	Description	Item no.	Pcs. per chair
1	Fixed backrest plate aluminium, W: 35-45 cm H: 50 cm	45044	1
1	Fixed backrest plate aluminium, W: 50-60 cm H: 50 cm	45045	1
1	Fixed backrest plate aluminium, Width: 65-75 cm H: 50 cm	27706	1
	Back extender aluminium W: 35-45 cm H: 60 cm for Netti cushions	44872	1
	Back extender aluminium W: 50-60 cm H: 60 cm for Netti cushions	44912	1
	Back extender aluminium W: 65-75 cm H: 60 cm for Netti cushions	44913	1
2	Stocking holder	29237	2

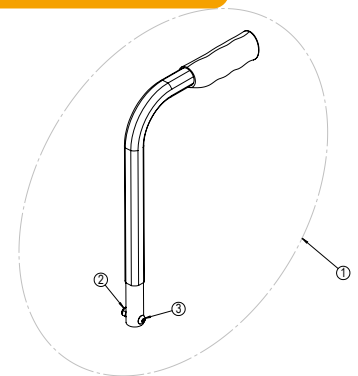
BACK EXTENDER

Position	Description	Item no.	Pcs. per chair
1	Back extender 60 cm	43799	1
	Back rest extender velcro	43797	1



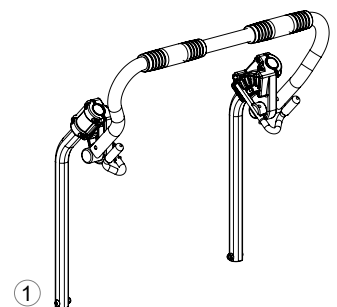
PUSH HANDLE

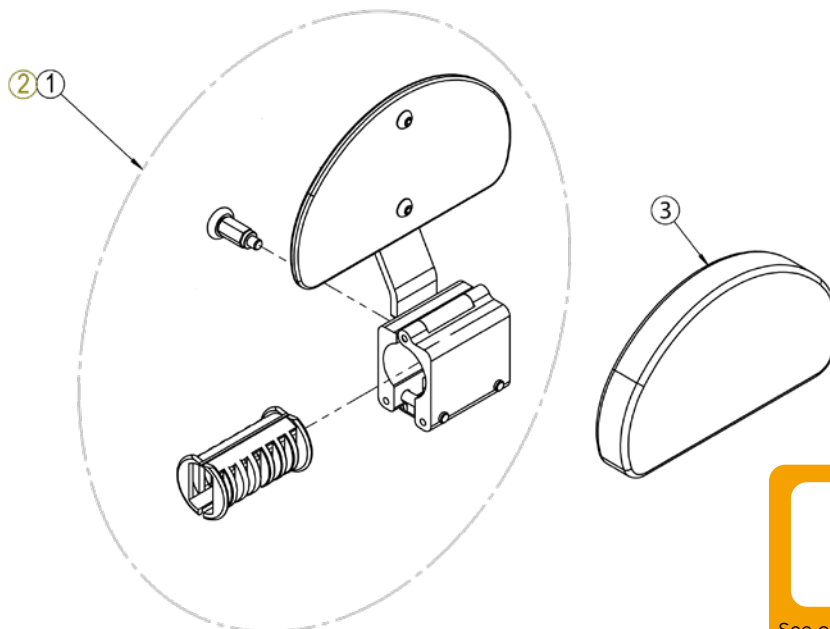
Position	Description	Item no.	Pcs. per chair
1	Push handle, 300 mm	21754	2
1	Push handle, 500 mm	21808	2
2	Lock nut M6	20058	2
3	Screw M6 x 25 mm	20992	2



ANGLE ADJUSTABLE PUSH BOW

Position	Description	Item no.	Pcs. per chair
1	Angle adjustable push bow 35 cm	81747	1
1	Angle adjustable push bow 38 cm	81748	1
1	Angle adjustable push bow 40 cm	81749	1
1	Angle adjustable push bow 43 cm	81750	1
1	Angle adjustable push bow 45 cm	81751	1
1	Angle adjustable push bow 50 cm	81752	1
1	Angle adjustable push bow 55 cm	81753	1
1	Angle adjustable push bow 60 cm	81754	1

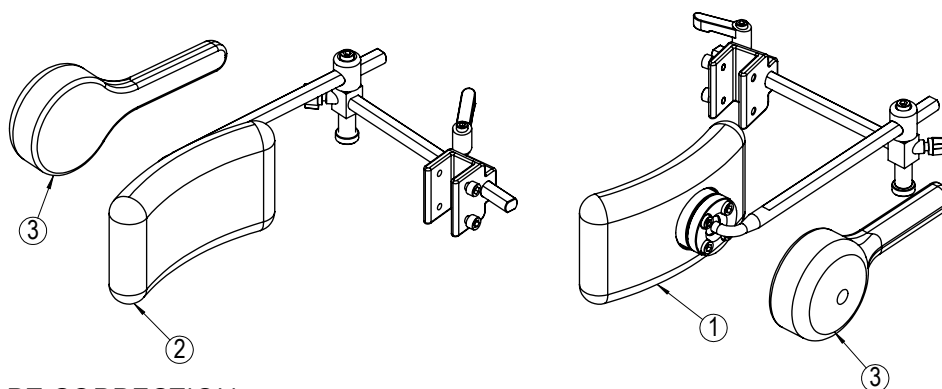




See our movie "Mounting of Side Support Stable" on My-Netti-TV.com

SIDE SUPPORT STABIL

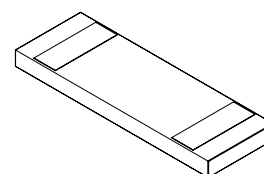
Position	Description	Item no.	Pcs. per chair
1	Side support Stabil, right	26843	1
2	Side support Stabil, left	26830	1
3	Side support upholster Stabil	27541	1/2



See our movie "Mounting of Side Support Correction" on My-Netti-TV.com

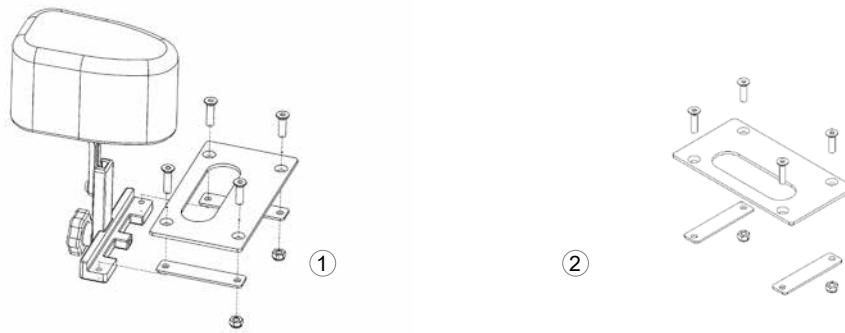
SIDE SUPPORT CORRECTION

Position	Description	Item no.	Pcs. per chair
1	Side support Correction, left	27374	1
2	Side support Correction, right	27375	1
3	Pad for side support Correction	27542	1/2



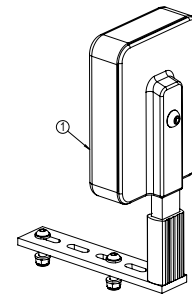
LUMBAR SUPPORT

Position	Description	Item no.	Pcs. per chair
	Lumbar support width 35-40 cm	2838	1
	Lumbar support width 45-50 cm	2839	1
	Lumbar support width 55-60 cm	2836	1



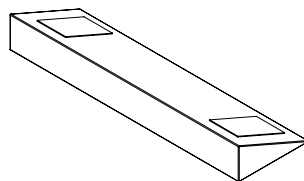
ABDUCTION BLOCK

Position	Description	Item no.	Pcs. per chair
1	Abduction block, small (W:80, L: 140, H:80 mm) incl. set plate kit	86096	1
1	Abduction block, medium (W:110, L:150, H:80 mm) incl. set plate kit	86097	1
1	Abduction block, large (W:140, L:170, H:80 mm) incl. set plate kit	86098	1
2	Set plate reinforcement kit	85978	1



KNEE AND THIGH SUPPORT

Position	Description	Item no.	Pcs. per chair
	Knee and thigh support	20830	1/2



WEDGE CUSHION

Position	Description	Item no.	Pcs. per chair
	Wedge cushion	21048	1

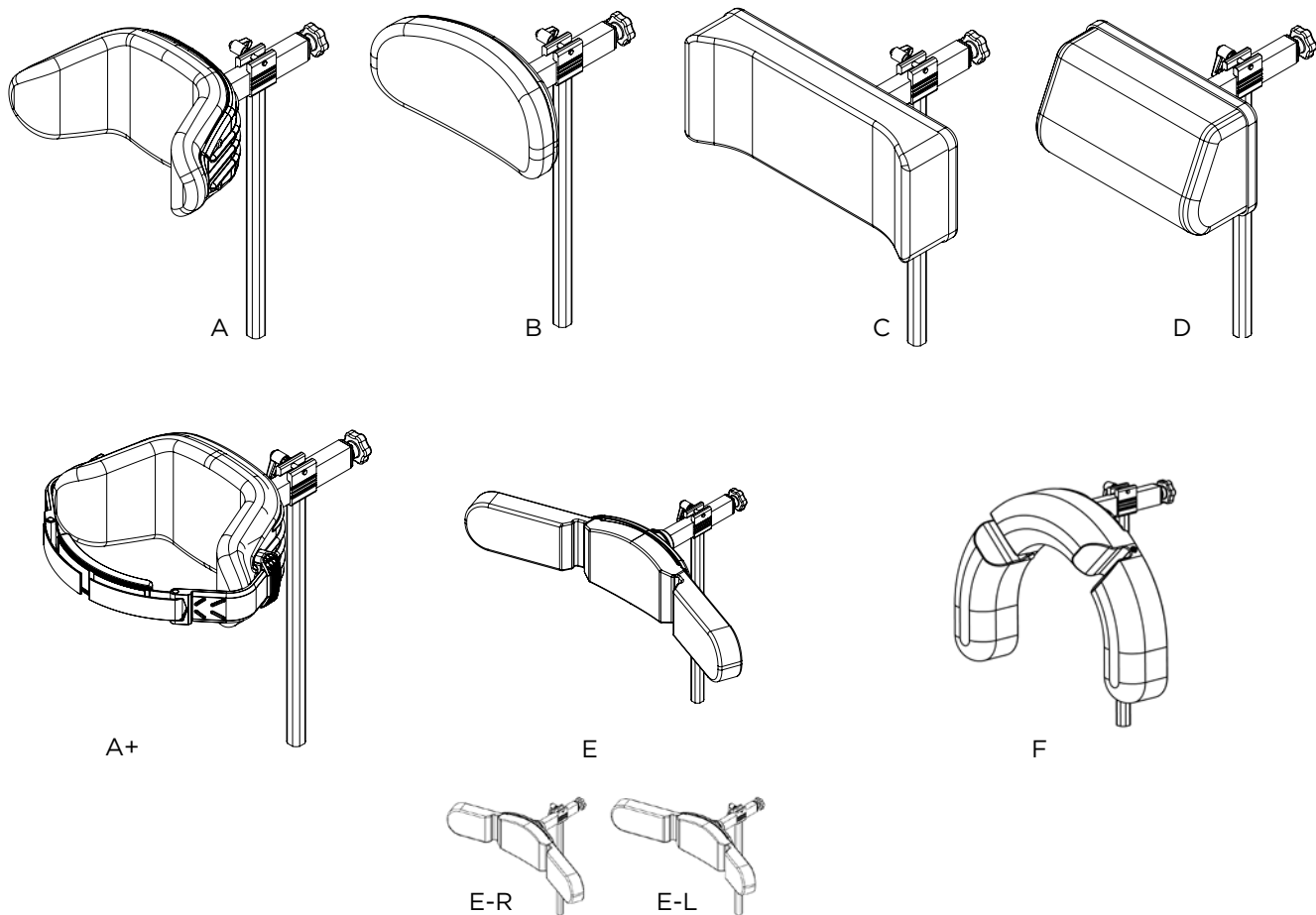
LIBERTAS OPTION: 15° BACK FLEXIBILITY FOR AN IMPROVED SEATING COMFORT



NETTI LIBERTAS

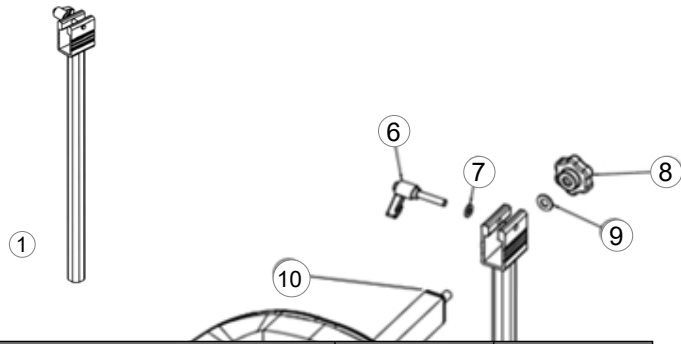
Position	Description	Item no.	Pcs. per chair
	Cylinder 80N Netti III	82330	1
	Cylinder 120N Netti III	82331	1
	Cylinder 160N Netti III	82332	1

A Chair with Netti Libertas is not intended for transport in car.



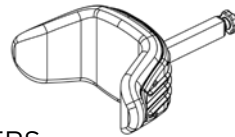
HEADREST - COMPLETE

Position	Description	Item no.	Pcs. per chair
A	Head support A 3D	40880	1
A	Head support A Easy Care	28382	1
A+	Head support A with head band 3D	82566	1
A+	Head support A with head band Easy Care	44970	1
B	Head support B 3D	40881	1
B	Head support B Easy Care	28383	1
C	Head support C 3D	40882	1
C	Head support C Easy Care	28384	1
D	Head support D 3D	81024	1
D	Head support D Easy Care	82986	1
E	Head support E 3D	84850	1
E	Head support E Easy Care	85240	1
E-R	Head support E 3D short right side 11,5 cm, left 17 cm	88860	1
E-R	Head support E Easy Care short right side 11,5 cm, left 17 cm	88863	1
E-L	Head support E 3D short left side 11,5 cm, right 17 cm	88866	1
E-L	Head support E Easy Care short left side 11,5 cm, right 17 cm	88869	1
F	Head support F 3D	84570	1
F	Head support F Easy Care	85258	1



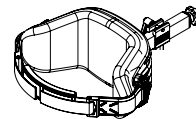
ACCESSORIES TO HEAD SUPPORTS

Position	Description	Item no.	Pcs. per chair
1	Vertical bar 200 mm	41401	1
1	Vertical bar 350 mm (Standard)	41402	1
1	Vertical bar 500 mm	41403	1
6	Clamp lever M6 x 30 mm for head support, height adjustable	20282	1
7	Washer M6	20063	1
8	Star wheel M8	26684	1
9	Washer M8	29305	1
10	Square plug horizontal bar 20 x 30 x 11 mm	20852	1
	Plastic plug vertical bar	20509	1



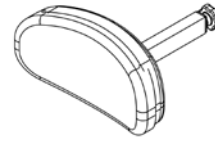
HEAD SUPPORT A WITH DIFFERENT TUBE LENGTHS & COVERS

Position	Description	Item no.	Pcs. per chair
	Head support A w/tube 150 mm, (Standard) Easy Care	42369	1
	Head support A w/tube 150 mm, (Standard) 3D	42370	1
	Head support A w/tube 250 mm, Easy Care	42372	1
	Head support A w/tube 250 mm, 3D	42373	1
	Head support A w/tube 380 mm, Easy Care	42375	1
	Head support A w/tube 380 mm, 3D	42376	1
	Extra cover for head support A (Easy Care)	27554	1
	Extra cover for head support A (3D)	40883	1



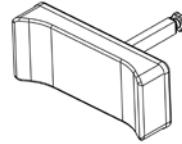
HEAD SUPPORT A WITH BAND WITH DIFFERENT TUBE LENGTHS

Position	Description	Item no.	Pcs. per chair
	Head support A with band w/tube 150 mm, (Standard) Easy Care	87397	1
	Head support A with band w/tube 150 mm, (Standard) 3D	87398	1
	Head support A with band w/tube 250 mm, Easy Care	87399	1
	Head support A with band w/tube 250 mm, 3D	87400	1
	Head support A with band w/tube 380 mm, Easy Care	87401	1
	Head support A with band w/tube 380 mm, 3D	87402	1



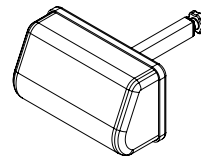
HEAD SUPPORT B WITH DIFFERENT TUBE LENGTHS & COVERS

Position	Description	Item no.	Pcs. per chair
	Head support B w/tube 150 mm (Standard), Easy Care	42360	1
	Head support B w/tube 150 mm (Standard), 3D	42361	1
	Head support B w/tube 250 mm, Easy Care	42363	1
	Head support B w/tube 250 mm, 3D	42364	1
	Head support B w/tube 380 mm, Easy Care	42366	1
	Head support B w/tube 380 mm balljoint pip, 3D	42367	1
	Extra cover for head support B (Easy Care)	27555	1
	Extra cover for head support B (3D)	40884	1



HEAD SUPPORT C WITH DIFFERENT TUBE LENGTHS & COVERS

Position	Description	Item no.	Pcs. per chair
	Head support C w/tube 150 mm (Standard), Easy Care	42351	1
	Head support C w/tube 150 mm (Standard), 3D	42352	1
	Head support C w/tube 250 mm 250, Easy Care	42354	1
	Head support C w/tube 250 mm, 3D	42355	1
	Head support C w/tube 380 mm, Easy Care	42357	1
	Head support C w/tube 380 mm, 3D	42358	1
	Extra cover for head support C (Easy Care)	27556	1
	Extra cover for head support C (3D)	40885	1



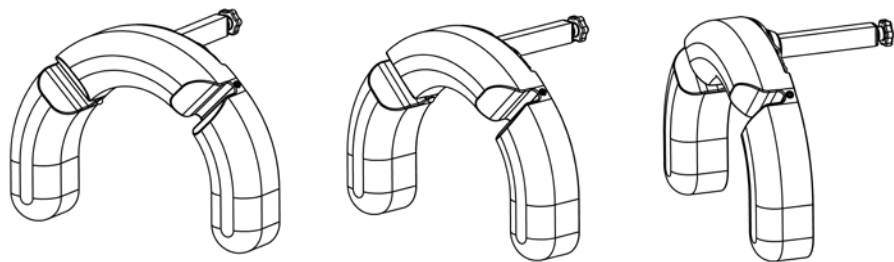
HEAD SUPPORT D WITH DIFFERENT TUBE LENGTHS

Position	Description	Item no.	Pcs. per chair
	Head support D w/tube 150 mm (standard), Easy Care	82983	1
	Head support D w/tube 150 mm (standard), 3D	81021	1
	Head support D w/tube 250 mm, Easy Care	82984	1
	Head support D w/tube 250 mm, 3D	81022	1
	Head support D w/tube 380 mm, Easy Care	82985	1
	Head support D w/tube 380 mm, 3D	81023	1



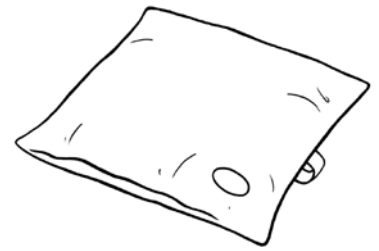
HEAD SUPPORT E WITH DIFFERENT TUBE LENGTHS

Position	Description	Item no.	Pcs. per chair
1	Head support E w/tube 150 mm (Standard), Easy Care	87407	1
1	Head support E w/tube 150 mm (Standard), 3D	87408	1
1	Head support E w/tube 250 mm 250, Easy Care	87409	1
1	Head support E w/tube 250 mm, 3D	87410	1
1	Head support E w/tube 380 mm, Easy Care	87411	1
1	Head support E w/tube 380 mm, 3D	87412	1
2	Head support E w/tube 150 mm (Standard), Easy Care, short right side	88850	1
2	Head support E w/tube 150 mm (Standard), 3D, short right side	88847	1
2	Head support E w/tube 250 mm Kugelrohr, Easy Care, short right side	88851	1
2	Head support E w/tube 250 mm Kugelrohr, 3D, short right side	88848	1
2	Head support E w/tube 380 mm Kugelrohr, Easy Care, short right side	88852	1
2	Head support E w/tube 380 mm Kugelrohr, 3D, short right side	88849	1
3	Head support E w/tube 150 mm (Standard), Easy Care, short left side	88856	1
3	Head support E w/tube 150 mm (Standard), 3D, short left side	88853	1
3	Head support E w/tube 250 mm Kugelrohr, Easy Care, short left side	88857	1
3	Head support E w/tube 250 mm Kugelrohr, 3D, short left side	88854	1
3	Head support E w/tube 380 mm Kugelrohr, Easy Care, short left side	88858	1
3	Head support E w/tube 380 mm Kugelrohr, 3D, short left side	88855	1



HEAD SUPPORT F WITH DIFFERENT TUBE LENGTHS

Position	Description	Item no.	Pcs. per chair
	Head support F w/tube 150 mm (Standard), Easy Care	87413	1
	Head support F w/tube 150 mm (Standard), 3D	87414	1
	Head support F w/tube 250 mm 250, Easy Care	87415	1
	Head support F w/tube 250 mm, 3D	87416	1
	Head support F w/tube 380 mm, Easy Care	87417	1
	Head support F w/tube 380 mm, 3D	87418	1



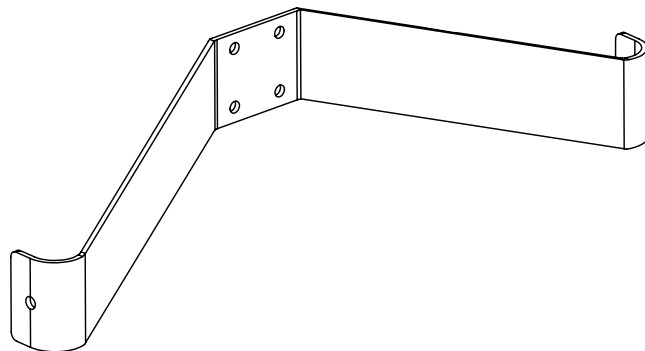
HEAD CUSHION WITH ELASTIC BAND

Position	Description	Item no.	Pcs. per chair
	Head pillow with elastic band, grey	3950	1



HEAD SUPPORT CUSHION COMFORT

Position	Description	Item no.	Pcs. per chair
	Head cushion cushion Comfort for head support C	3952	1



HEAD SUPPORT FIXATION BRACKET

Position	Description	Item no.	Pcs. per chair
	Head support fixation bracket, aluminium, width 35 *	23017	1
	Head support fixation bracket, aluminium, width 38 *	42329	1
	Head support fixation bracket, aluminium, width 40 *	23018	1
	Head support fixation bracket, aluminium, width 43 *	23019	1
	Head support fixation bracket, aluminium, width 45 *	23020	1
	Head support fixation bracket, aluminium, width 50 *	23021	1
	Head support fixation bracket, aluminium, width 55 *	23022	1
	Head support fixation bracket, aluminium, width 60 *	23023	1

* Fixation of head support bracket mounted on push bar. Cannot be combined with aluminium head support adaptor (item 82025)



①



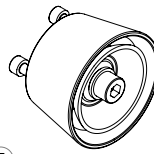
②



③



④

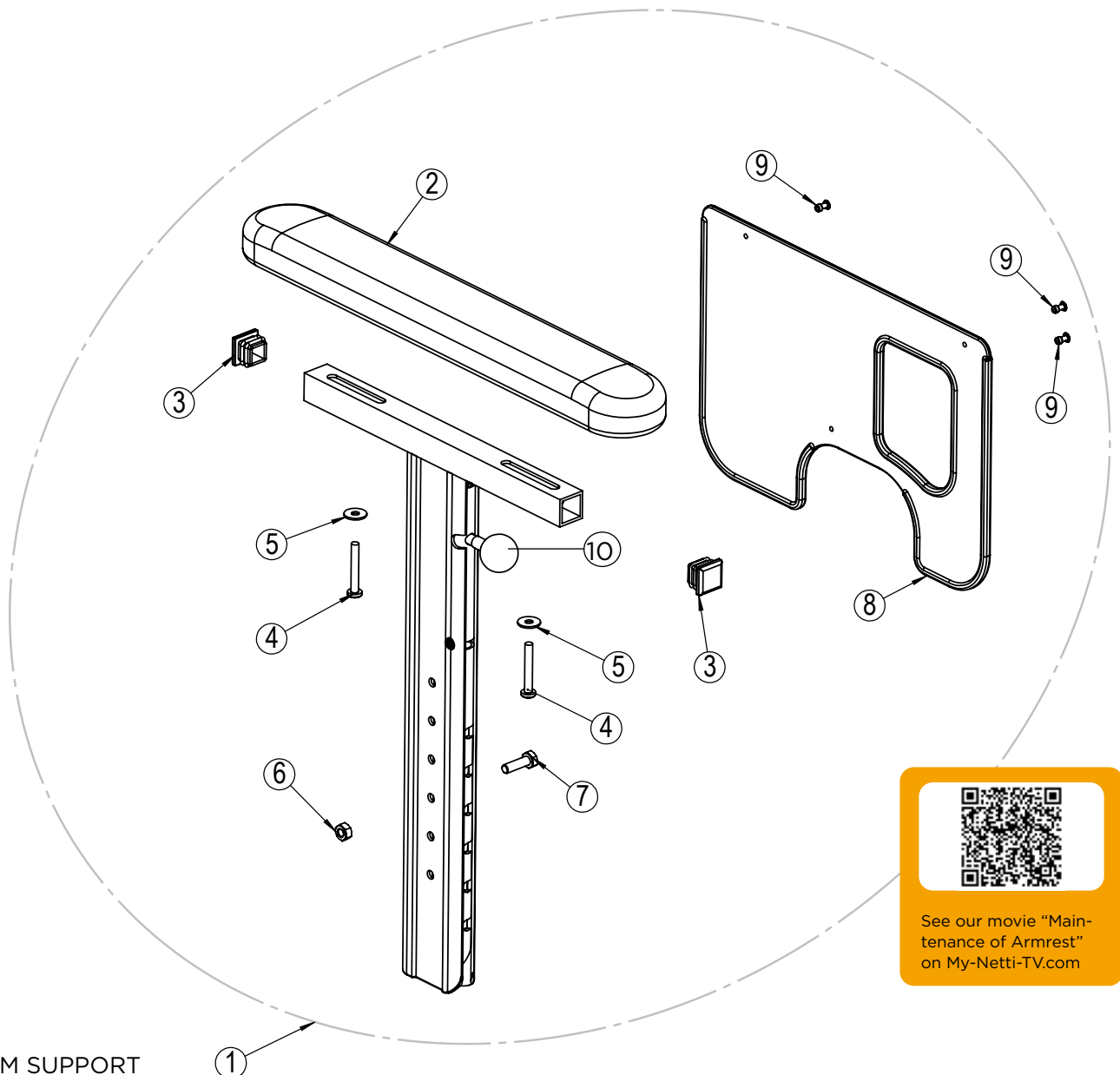


⑤

HEAD SUPPORT FROM SYMMETRIC DESIGN

Position	Description	Item no.	Pcs. per chair
1	Savant Pediatric including head band (without bars)	45365	1
1	Savant Small including head band (without bars)	45366	1
1	Savant Adult including head band (without bars)	45367	1
2	Savant side support	45373	1/2
3	Horizontal bar for Netti wheelchairs, 150 mm*	45369	1
3	Horizontal bar for Netti wheelchairs, 250 mm*	45370	1
4	Axion rotation hardware 60°	45368	1
4	Axion rotation hardware 90°	45378	1
5	Extra adapter for mounting Axion adaptor with Netti head supports	89558	1

*For vertical bars see head support accessories.

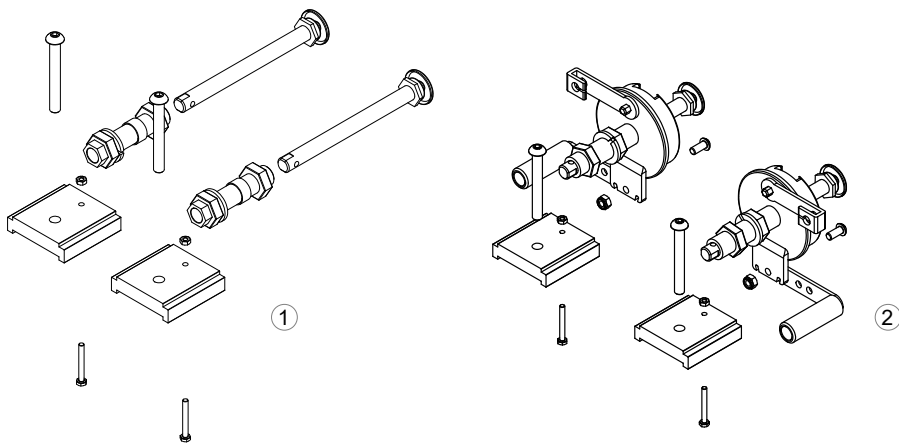



See our movie "Maintenance of Armrest" on My-Netti-TV.com

ARM SUPPORT

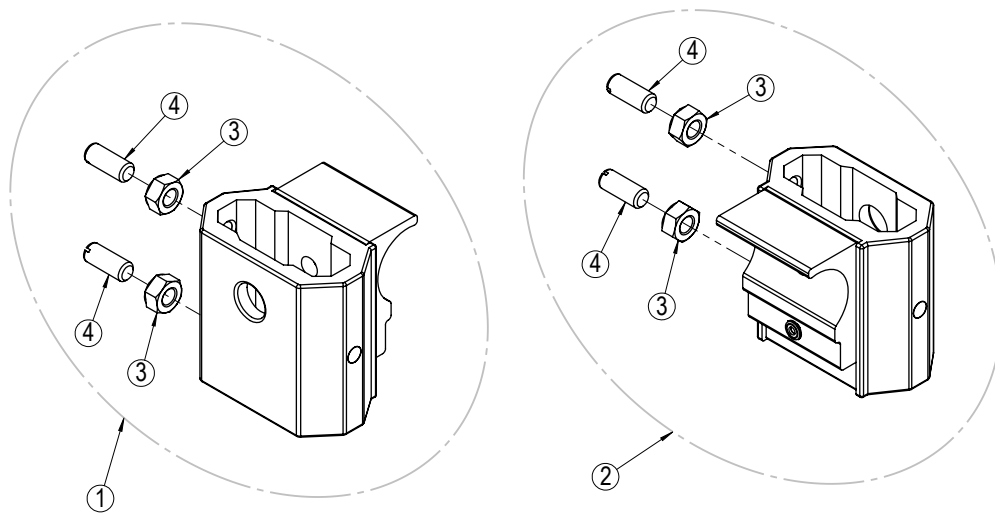
①

Position	Description	Item no.	Pcs. per chair
1	Arm support 39,5 cm standard, right (pad 385 x 58 mm)	21682	1
1	Arm support 39,5 cm standard, left (pad 385 x 58 mm)	21681	1
1	Arm support Netti III HD, right (pad 420 x 80 mm)	40835	1
1	Arm support Netti III HD, left (pad 420 x 80 mm)	40836	1
	Arm support reinforced, R (skirt guard aluminium & pad 420 x 80 mm)	80733	1
	Arm support reinforced, L (skirt guard aluminium & pad 420 x 80 mm)	80734	1
1	Arm support +10 cm height, 49,5 cm, right	29149	1
1	Arm support +10 cm height, 49,5 cm, left	29150	1
2	Please see the different arm support pad opportunities on page 20		
3	Square plug 20 x 20 x 12 mm	20633	2
4	Screw M5 x 35 mm	21323	2
5	Washer M5	23594	2
6	Screw M6 x 20 mm	20406	2
7	Nut M6	20407	2
8	Skirt guard arm support including pop	44930	2
	Skirt guard, Aluminium	80730	2
9	Pop black ø3.2 x 9.7 mm	20060	6
10	Release lever with ball	26979	2



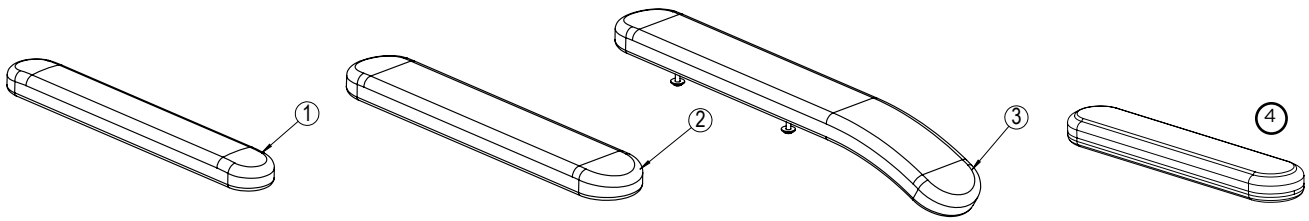
ARM SUPPORT EXPANSION KIT (for sw 35-45 cm)

Position	Description	Item no.	Pcs. per chair
1	Arm support expansion kit 1,2 cm for standard wheels	40501	1
2	Arm support expansion kit 1,2 cm for drum brake wheels	40502	1



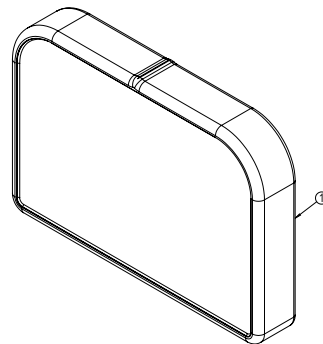
ARM SUPPORT BRACKET

Position	Description	Item no.	Pcs. per chair
1	Arm support bracket, 2 adjust. nuts, right	20404	1
2	Arm support bracket, 2 adjust. nuts, left	20401	1
3	Nut M8	20408	4
4	Nylon screw M8 x 20 mm	20857	4



ARM SUPPORT PAD

Position	Description	Item no.	Pcs. per chair
1	Arm support pad standard 385 x 58mm	20835	2
	Arm support pad PU, 445 x 68 mm	29136	2
2	Arm support pad PU, 420 x 80 mm	29137	2
	Arm support pad PU, 525 x 80 mm	29138	2
3	Arm support pad w. bend PU, 525 x 80 mm	29139	2
4	Arm support pad 3D cover (extra soft) 385 x 58 mm	41649	2
4	Arm support pad EasyCare cover (extra soft) 385 x 58 mm	87765	2
4	Arm support pad 3D cover (extra soft) 420 x 80 mm	82563	2



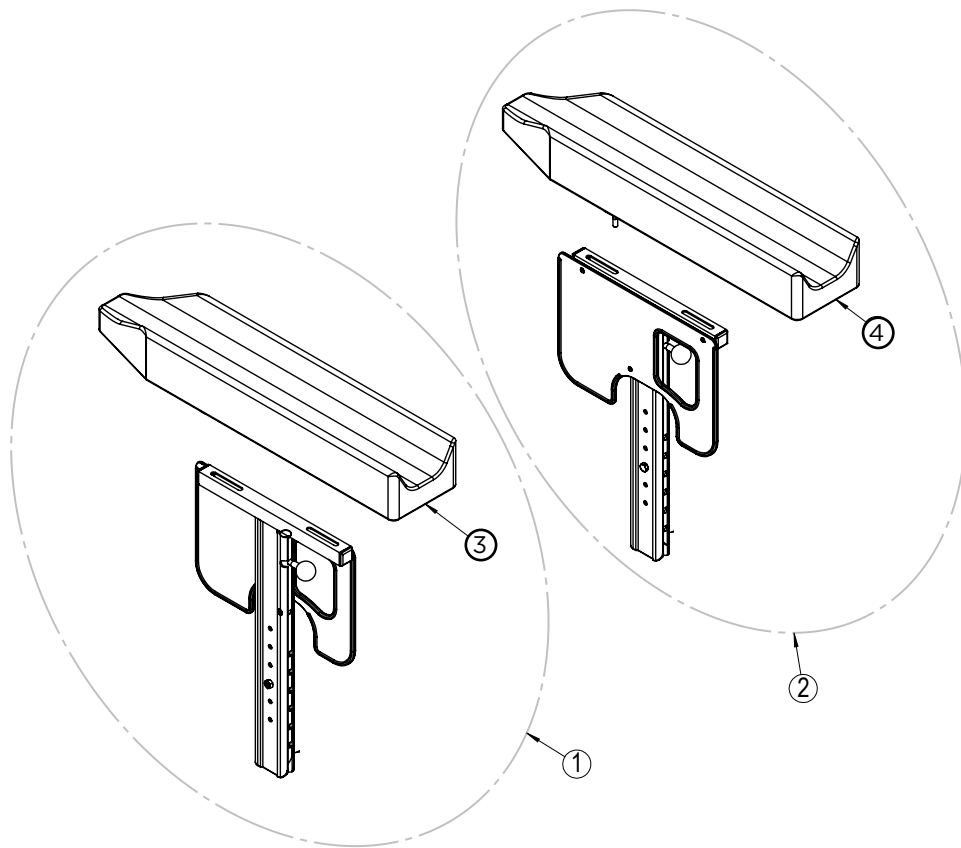
COMFORT PAD - ARM SUPPORT

Position	Description	Item no.	Pcs. per chair
	Arm support Comfort pad 25 mm, w/velcro	22149	2



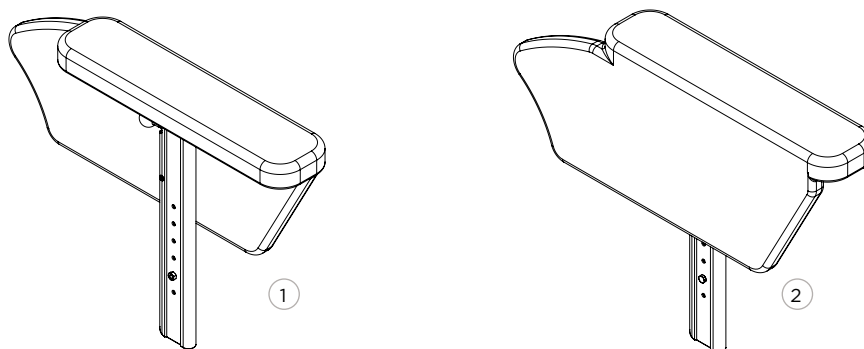
CUSION HEMIPLEGIC

Position	Description	Item no.	Pcs. per chair
	Cusion hemiplegic	3954	1 / 2



ARM SUPPORT HEMPLEGIC - ROTATABLE AND FIXABLE

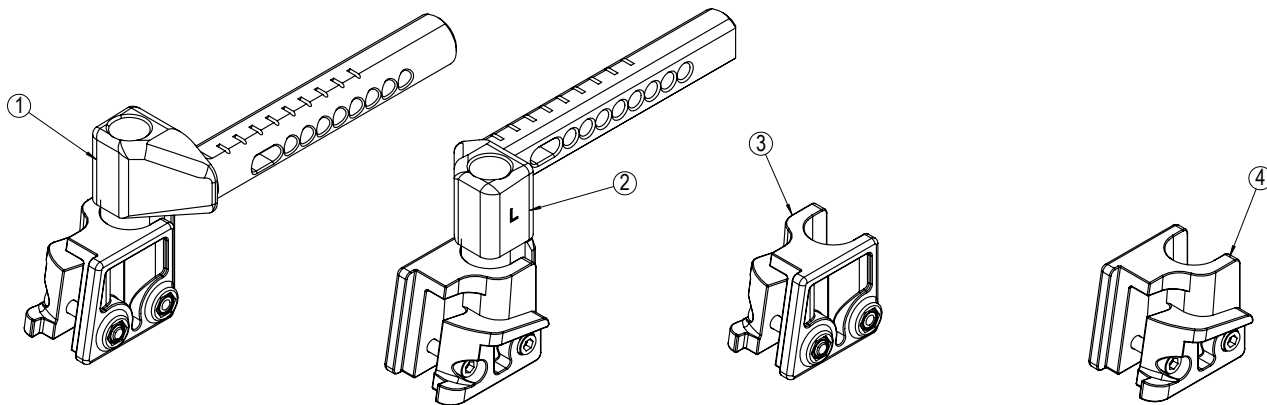
Position	Description	Item no.	Pcs. per chair
1	Arm support hemplegic complete, right	22186	1
2	Arm support hemplegic complete, left	22185	1
3	Hemplegic arm support pad upper part, right	20757	1
4	Hemplegic arm support pad upper part, left	27583	1
	Spare cover for hemplegic arm support	43650	1 / 2



ARM SUPPORT WITH COMPLETE UPHOLSTERY*

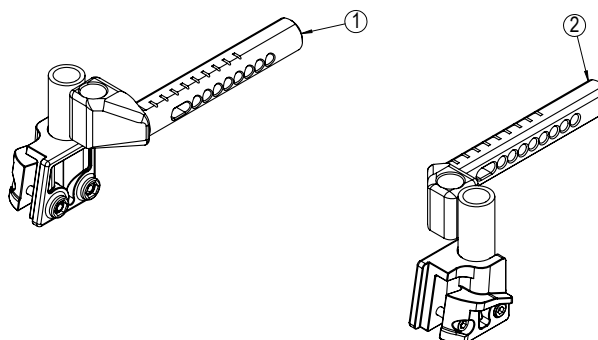
Position	Description	Item no.	Pcs. per chair
1	Arm support with complete upholstery, Skai, right, 39,5 cm	89714	1
2	Arm support with complete upholstery, Skai, left, 39,5 cm	89713	1
1	Arm support with complete upholstery, Skai, right, 44,5 cm	89715	1
2	Arm support with complete upholstery, Skai, left, 44,5 cm	89716	1
1	Arm support with complete upholstery, Skai, right, 50 cm	89717	1
2	Arm support with complete upholstery, Skai, left, 50 cm	89718	1

*Arm support can only be combined with the reinforced tray 15100+15101 for SW 35-50 cm.



EXTENSION PART

Position	Description	Item no.	Pcs. per chair
1	Extension part, silver, right	27384	1
2	Extension part, silver, left	27385	1
3	Foot support locking bracket, right	29555	1
4	Foot support locking bracket, left	29556	1



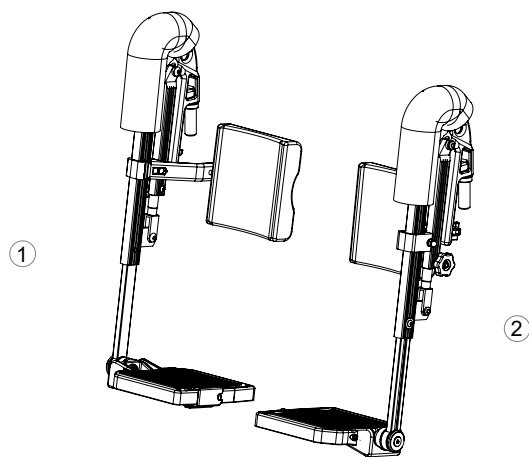
EXTENSION PART WITH ABDUCTION

Position	Description	Item no.	Pcs. per chair
1	Extension part with abduction - 2.5 cm extra, right	80071	1
2	Extension part with abduction - 2.5 cm extra, left	80072	1



EXTENSION PART REINFORCED (STANDARD FOR NETTI III EL)

Position	Description	Item no.	Pcs. per chair
1	Extension part reinforced, right	85027	1
2	Extension part reinforced, left	85028	1

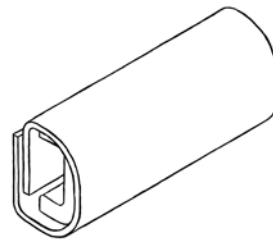


ANGLE ADJUSTABLE FOOT SUPPORT WITH 3D KNEE PADS

Position	Description	Item no.	Pcs. per chair
1	Angle adjustable foot support, width 35, complete, 3D, right	29500	1
2	Angle adjustable foot support, width 35, complete, 3D, left	29508	1
1	Angle adjustable foot support, width 38, complete, 3D, right	29501	1
2	Angle adjustable foot support, width 38, complete, 3D, left	29509	1
1	Angle adjustable foot support, width 40, complete, 3D, right	29502	1
2	Angle adjustable foot support, width 40, complete, 3D, left	29510	1
1	Angle adjustable foot support, width 43, complete, 3D, right	29503	1
2	Angle adjustable foot support, width 43, complete, 3D, left	29511	1
1	Angle adjustable foot support, width 45, complete, 3D, right	29504	1
2	Angle adjustable foot support, width 45, complete, 3D, left	29512	1
1	Angle adjustable foot support, width 50, complete, 3D, right	29505	1
2	Angle adjustable foot support, width 50, complete, 3D, left	29513	1
1	Angle adjustable foot support, width 55, complete, 3D, right	29506	1
2	Angle adjustable foot support, width 55, complete, 3D, left	29514	1
1	Angle adjustable foot support, width 60, complete, 3D, right	29507	1
2	Angle adjustable foot support, width 60, complete, 3D, left	29515	1

ANGLE ADJUSTABLE FOOT SUPPORT WITH EASYCARE KNEE PADS

Position	Description	Item no.	Pcs. per chair
1	Angle adjustable foot support, width 35, complete, EasyCare, right	41802	1
2	Angle adjustable foot support, width 35, complete, EasyCare, left	41803	1
1	Angle adjustable foot support, width 38, complete, EasyCare, right	41804	1
2	Angle adjustable foot support, width 38, complete, EasyCare, left	41805	1
1	Angle adjustable foot support, width 40, complete, EasyCare, right	41806	1
2	Angle adjustable foot support, width 40, complete, EasyCare, left	41807	1
1	Angle adjustable foot support, width 43, complete, EasyCare, right	41808	1
2	Angle adjustable foot support, width 43, complete, EasyCare, left	41809	1
1	Angle adjustable foot support, width 45, complete, EasyCare, right	41810	1
2	Angle adjustable foot support, width 45, complete, EasyCare, left	41811	1
1	Angle adjustable foot support, width 50, complete, EasyCare, right	41812	1
2	Angle adjustable foot support, width 50, complete, EasyCare, left	41813	1
1	Angle adjustable foot support, width 55, complete, EasyCare, right	41814	1
2	Angle adjustable foot support, width 55, complete, EasyCare, left	41815	1
1	Angle adjustable foot support, width 60, complete, EasyCare, right	41816	1
2	Angle adjustable foot support, width 60, complete, EasyCare, left	41817	1



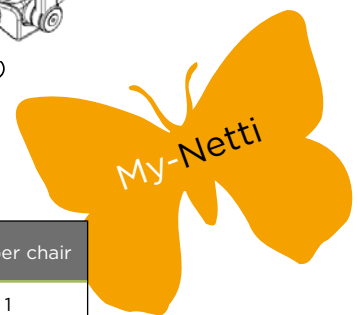
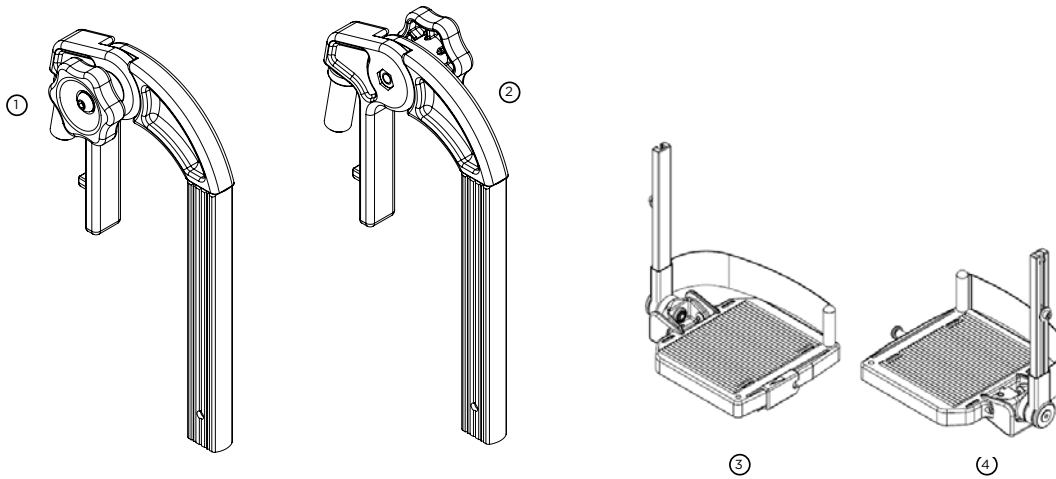
PADS FOR CALF SUPPORT BRACKET

Position	Description	Item no.	Pcs. per chair
	Pads for calf support bracket	21745	2



PADS FOR CALF SUPPORT

Position	Description	Item no.	Pcs. per chair
	Pads for calf support 35-38 cm 3D	41617	2
	Pads for calf support 38-40 cm 3D	41618	2
	Pads for calf support 43-45 cm 3D	41619	2
	Pads for calf support 50 cm 3D	41620	2
	Pads for calf support 55 cm 3D	41621	2
	Pads for calf support 60 cm 3D	41622	2
	Pads for calf support 35-38 cm EasyCare	87767	2
	Pads for calf support 38-40 cm EasyCare	87768	2
	Pads for calf support 43-45 cm EasyCare	87769	2
	Pads for calf support 50 cm EasyCare	87770	2

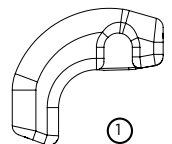


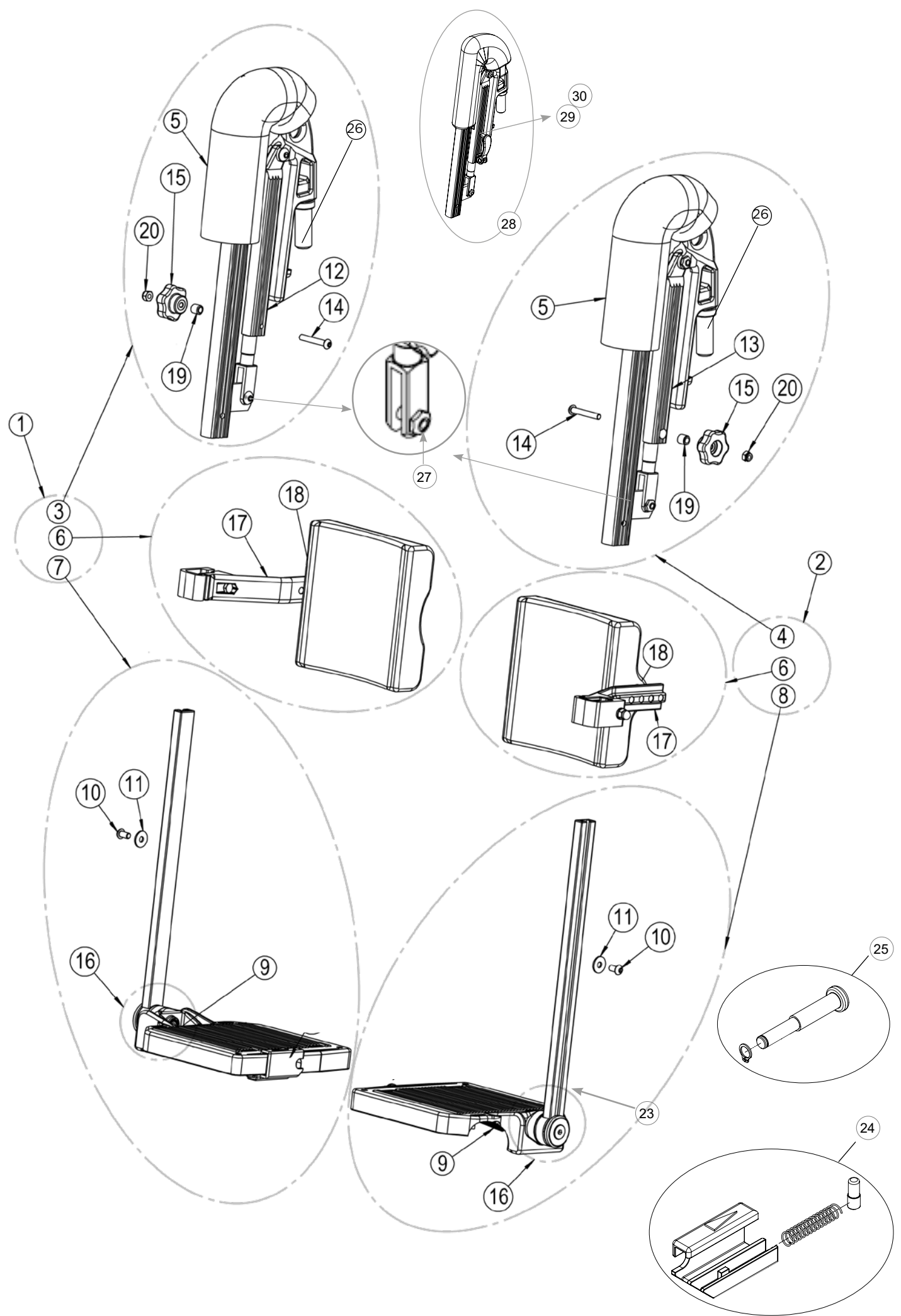
LEG SUPPORT UNIVERSAL

Position	Description	Item no.	Pcs. per chair
1	Leg support Universal, right	26708	1
2	Leg support Universal, left	26722	1
3	Foot plate w/ heel strap 35 cm, right	80030	1
4	Foot plate w/ heel strap 35 cm, left	80038	1
3	Foot plate w/ heel strap 38 cm, right	80031	1
4	Foot plate w/ heel strap 38 cm, left	80039	1
3	Foot plate w/ heel strap 40 cm, right	80032	1
4	Foot plate w/ heel strap 40 cm, left	80040	1
3	Foot plate w/ heel strap 43 cm, right	80033	1
4	Foot plate w/ heel strap 43 cm, left	80041	1
3	Foot plate w/ heel strap 45 cm, right	80034	1
4	Foot plate w/ heel strap 45 cm, left	80042	1
3	Foot plate w/ heel strap 50 cm, right	80035	1
4	Foot plate w/ heel strap 50 cm, left	80043	1
3	Foot plate w/ heel strap 55 cm, right	80036	1
4	Foot plate w/ heel strap 55 cm, left	80044	1
3	Foot plate w/ heel strap 60 cm, right	80037	1
4	Foot plate w/ heel strap 60 cm, left	80045	1

KNEEPADS FOR UNIVERSAL LEG SUPPORTS

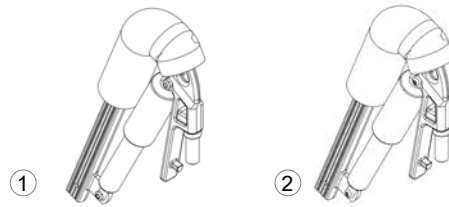
Position	Description	Item no.	Pcs. per chair
	Kneepads, universal 3D, L	41974	1
	Kneepads, universal 3D, R	41973	1
	Kneepads, universal EC, L	28640	1
	Kneepads, universal EC, R	28639	1





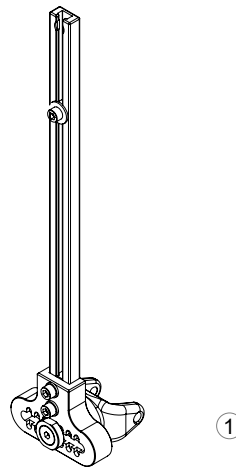
ANGLE ADJUSTABLE LEG SUPPORT

Position	Description	Item no.	Pcs. per chair
3	Angle adjustable upper leg support, knee upholstery 3D / Easy Care, right	41960 / 41762	1
4	Angle adjustable upper leg support, knee upholstery 3D / Easy Care, left	41961 / 41763	1
5	Knee upholstery, 3D / Easy Care	40886 / 29683	2
28	Angle adjustable upper leg support with lever, knee upholstery 3D / Easy Care, right	88211 / 88213	1
28	Angle adjustable upper leg support with lever, knee upholstery 3D / Easy Care, left	88212 / 88214	1
6	Calf support pad with bracket 35 cm	27964	2
6	Calf support pad with bracket 38-40 cm	27965	2
6	Calf support pad with bracket 43-45 cm	27966	2
6	Calf support pad with bracket 50 cm	27967	2
6	Calf support pad with bracket 55 cm	27968	2
6	Calf support pad with bracket 60 cm	27969	2
7	Foot plate width 35, with 350 mm adjustment piece, complete, right	28621	1
8	Foot plate width 35, with 350 mm adjustment piece, complete, left	28649	1
7	Foot plate width 38, with 350 mm adjustment piece, complete, right	28622	1
8	Foot plate width 38, with 350 mm adjustment piece, complete, left	28650	1
7	Foot plate width 40, with 350 mm adjustment piece, complete, right	28623	1
8	Foot plate width 40, with 350 mm adjustment piece, complete, left	28651	1
7	Foot plate width 43, with 350 mm adjustment piece, complete, right	28624	1
8	Foot plate width 43, with 350 mm adjustment piece, complete, left	28652	1
7	Foot plate width 45, with 350 mm adjustment piece, complete, right	28625	1
8	Foot plate width 45, with 350 mm adjustment piece, complete, left	28653	1
7	Foot plate width 50, with 350 mm adjustment piece, complete, right	28626	1
8	Foot plate width 50, with 350 mm adjustment piece, complete, left	28654	1
7	Foot plate width 55, with 350 mm adjustment piece, complete, right	28627	1
8	Foot plate width 55, with 350 mm adjustment piece, complete, left	28655	1
7	Foot plate width 60, with 350 mm adjustment piece, complete, right	28628	1
8	Foot plate width 60, with 350 mm adjustment piece, complete, left	28656	1
23	Adjustment piece 245 mm	23172	2
23	Adjustment piece 350 mm, standard	23173	2
23	Adjustment piece 350 mm, reinforced	20138	2
9	Foot plate spring 1x6x80 mm - model 2006	27858	2
10	Screw M6 x 12 mm	43499	2
11	Washer	20356	2
12	Adjustment piece, mechanical, complete with screws, right	29558	1
13	Adjustment piece, mechanical, complete with screws, left	29559	1
29	Adjustment piece for upper part with lever, mechanical, complete with screws, right	88207	1
30	Adjustment piece for upper part with lever, mechanical, complete with screws, left	88208	1
14	Screw M6 x 40 mm	20103	2
15	Adjustment wheel M6 x 40 mm	27388	2
16	Foot plate hinge complete	28523	2
17	Adaptor for calf support	25353	2
18	Screw M8	20412	2
19	Foot support locking cone	20539	2
20	Nut M6	20058	2
24	Foot plate lock, complete, right.	80691	1
25	Foot plate lock, complete, left	80692	1
26	Foot support swing unit	29492	2
27	Brass nut for adjustment piece	20181	2
27	Screw for adjustment piece	21880	2



ELECTRIC LEG SUPPORT

Position	Description	Item no.	Pcs. per chair
1	Elektric upper leg support, right	81544	1
2	Elektric upper leg support, left	81545	1

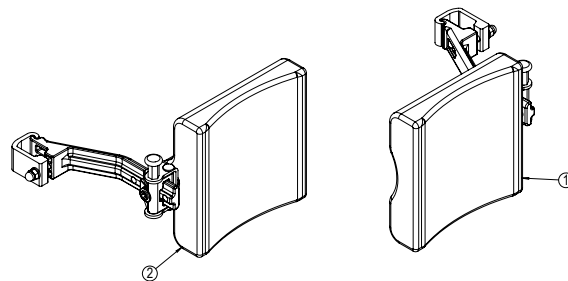


ADJUSTABLE FOOT SUPPORT for angle adjustable leg support

Position	Description	Item no.	Pcs. per chair
1	Adjustable foot support kit with screws	87088	2

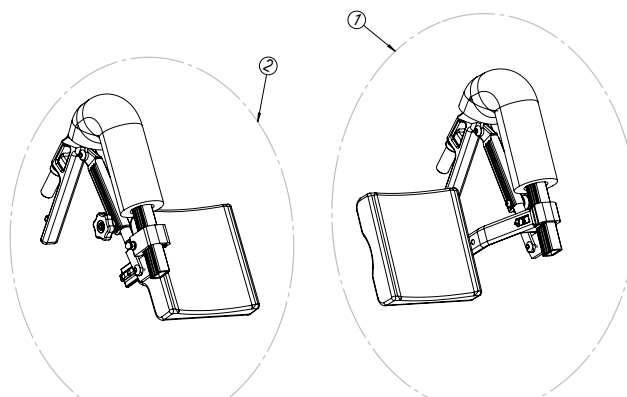
UPPER FOOT SUPPORT WITH GAS CYLINDER

Position	Description	Item no.	Pcs. per chair
	Upper foot support with gas cylinder, right	43294	1
	Upper foot support with gas cylinder, left	43295	1



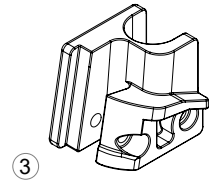
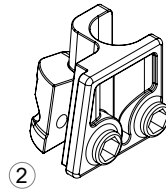
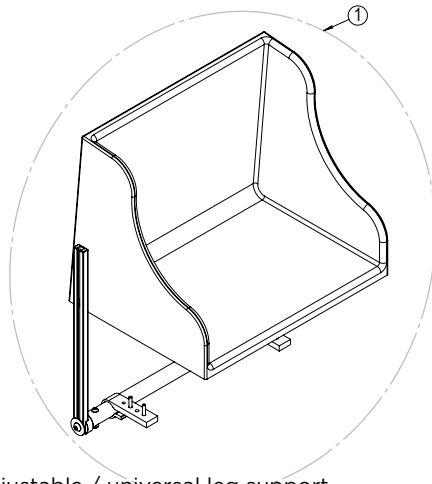
CALF SUPPORT WITH HINGE for angle adjustable / universal leg support (not suitable for Netti III EL)

Position	Description	Item no.	Pcs. per chair
1	Calf support with hinge, left 35-38 cm	26542	1
1	Calf support with hinge, left 40-43 cm	26546	1
1	Calf support with hinge, left 45 cm	26550	1
1	Calf support with hinge, left 50 cm	26552	1
1	Calf support with hinge, left 55 cm	26554	1
1	Calf support with hinge, left 60 cm	26556	1
2	Calf support with hinge, right 35-38 cm	26541	1
2	Calf support with hinge, right 40-43 cm	26545	1
2	Calf support with hinge, right 45 cm	26549	1
2	Calf support with hinge, right 50 cm	26551	1
2	Calf support with hinge, right 55 cm	26553	1
2	Calf support with hinge, right 60 cm	26555	1
	Calf strap w/ upholstery	21293	1



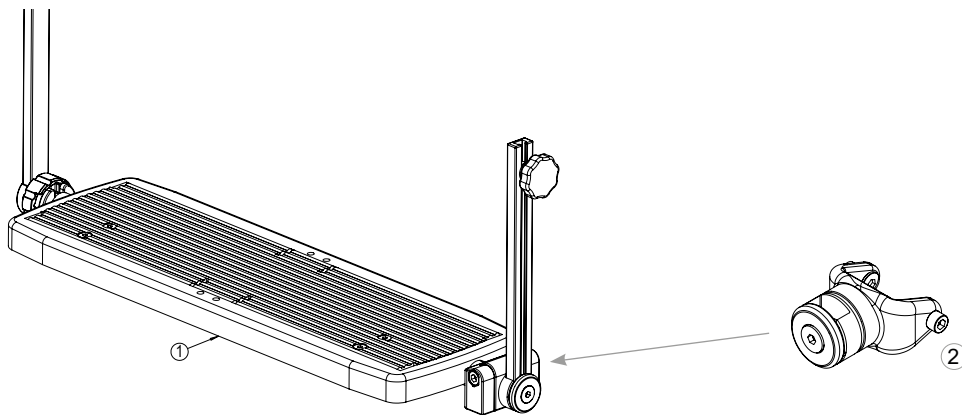
AMPUTATION SUPPORT

Position	Description	Item no.	Pcs. per chair
1	Amputation support width 35 cm, kneepads 3D, left	22160	1
1	Amputation support width 38 cm, kneepads 3D, left	22161	1
1	Amputation support width 40 cm, kneepads 3D, left	22162	1
1	Amputation support width 43 cm, kneepads 3D, left	22163	1
1	Amputation support width 45 cm, kneepads 3D, left	22164	1
1	Amputation support width 50 cm, kneepads 3D, left	22165	1
1	Amputation support width 55 cm, kneepads 3D, left	22166	1
1	Amputation support width 60 cm, kneepads 3D, left	22167	1
2	Amputation support width 35 cm, kneepads 3D, right	22152	1
2	Amputation support width 38 cm, kneepads 3D, right	22153	1
2	Amputation support width 40 cm, kneepads 3D, right	22154	1
2	Amputation support width 43 cm, kneepads 3D, right	22155	1
2	Amputation support width 45 cm, kneepads 3D, right	22156	1
2	Amputation support width 50 cm, kneepads 3D, right	22157	1
2	Amputation support width 55 cm, kneepads 3D, right	22158	1
2	Amputation support width 60 cm, kneepads 3D, right	22159	1



FOOT BOX for angle adjustable / universal leg support

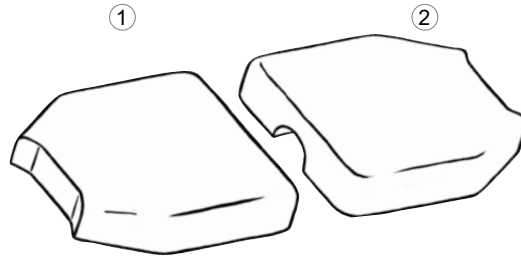
Position	Description	Item no.	Pcs. per chair
1	Foot box, width 35 cm	23336	1
1	Foot box, width 38 cm	23337	1
1	Foot box, width 40 cm	23338	1
1	Foot box, width 43 cm	23339	1
1	Foot box, width 45 cm	23340	1
1	Foot box, width 50 cm	23341	1
1	Foot box, width 55 cm	23342	1
1	Foot box, width 60 cm	23343	1
2	Locking bracket for foot box, right	80839	1
3	Locking bracket for foot box, left	80840	1



FOOT BOARD WITH LOCK for angle adjustable / universal leg support

Position	Description	Item no.	Pcs. per chair
1	Foot board w/ lock, width 35 cm (for angle adjust. food support)	25701	1
1	Foot board w/ lock, width 38 cm (for angle adjust. food support)	25702	1
1	Foot board w/ lock, width 40 cm (for angle adjust. food support)	25703	1
1	Foot board w/ lock, width 43 cm (for angle adjust. food support)	25704	1
1	Foot board w/ lock, width 45 cm (for angle adjust. food support)	25705	1
1	Foot board w/ lock, width 50 cm (for angle adjust. food support)	25706	1
1	Foot board w/ lock, width 55 cm (for angle adjust. food support)	25707	1
1	Foot board w/ lock, width 60 cm (for angle adjust. food support)	25708	1
2	Foot board aluminium hinge	24257	1
	Adjustment piece 245 mm	23172	2
	Adjustment piece 350 mm (standard)	23173	2
	Adjustment piece 350 mm reinforced	20138	2

LEGSUPPORT



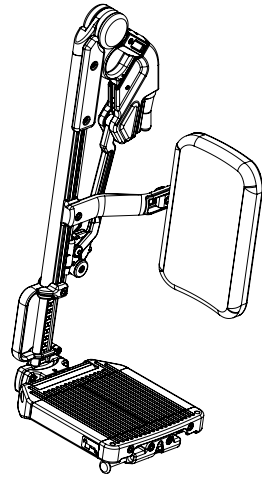
FOOT PLATE UPHOLSTERY for angle adjustable leg support

Position	Description	Item no.	Pcs. per chair
1	Foot plate upholstery, width 35 cm, right	28453	1
1	Foot plate upholstery, width 38 cm, right	28455	1
1	Foot plate upholstery, width 40 cm, right	28457	1
1	Foot plate upholstery, width 43 cm, right	28459	1
1	Foot plate upholstery, width 45 cm, right	28461	1
1	Foot plate upholstery, width 50 cm, right	28463	1
1	Foot plate upholstery, width 55 cm, right	28465	1
1	Foot plate upholstery, width 60 cm, right	28467	1
2	Foot plate upholstery, width 35 cm, left	28454	1
2	Foot plate upholstery, width 38 cm, left	28456	1
2	Foot plate upholstery, width 40 cm, left	28458	1
2	Foot plate upholstery, width 43 cm, left	28460	1
2	Foot plate upholstery, width 45 cm, left	28462	1
2	Foot plate upholstery, width 50 cm, left	28464	1
2	Foot plate upholstery, width 55 cm, left	28466	1
2	Foot plate upholstery, width 60 cm, left	28468	1

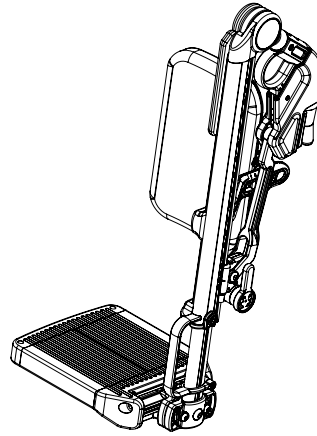


LOOKING FOR CUSHIONS?

Please see separate catalogue with our complete range of cushions.



①

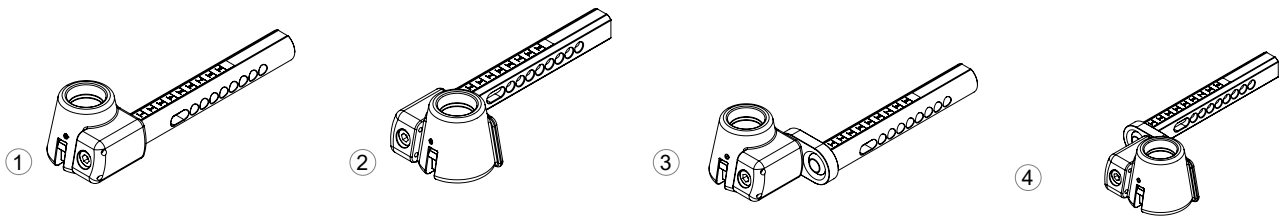


②

LEG SUPPORT GRANDIS COMPLETE

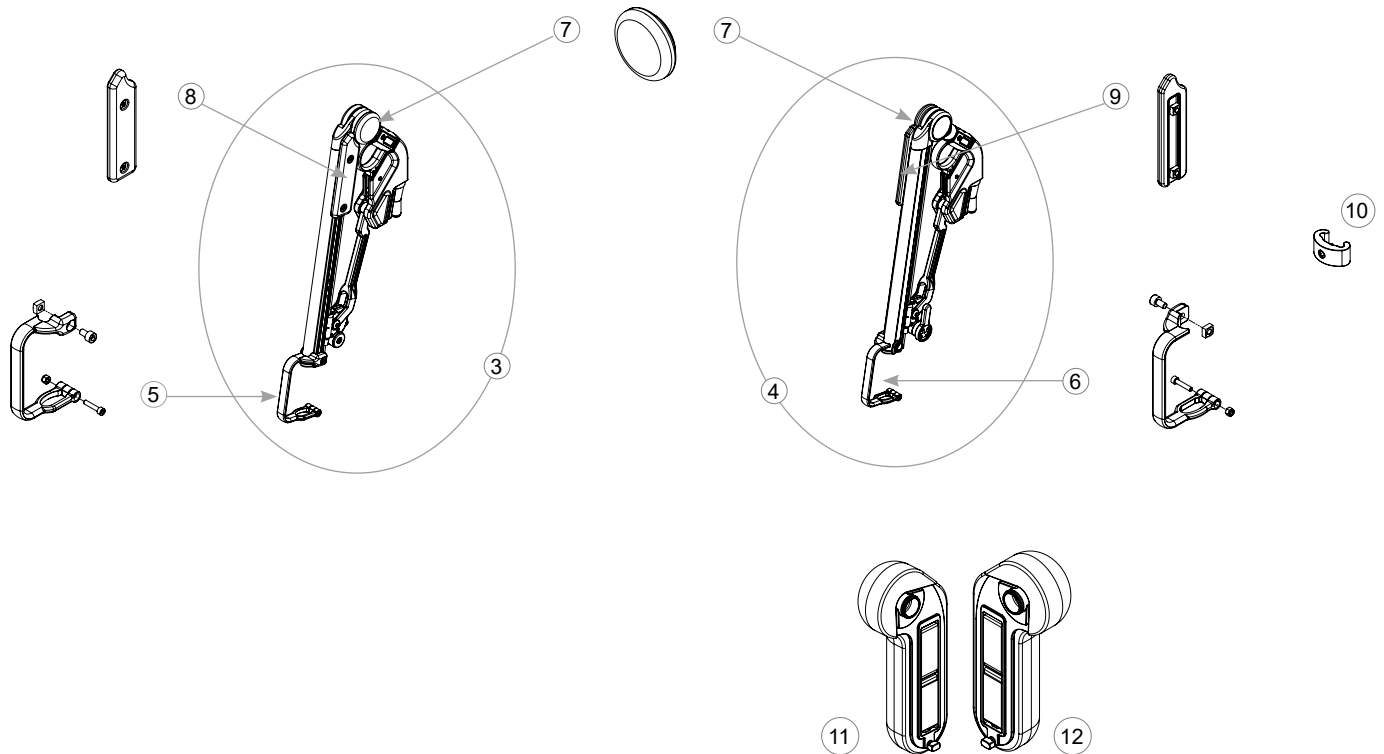
Position	Description	Item no.	Pcs. per chair
1	Leg support Grandis Complete calf support 150 mm, right, SW 35 cm	88601	1
1	Leg support Grandis Complete calf support 150 mm, right, SW 38 cm	88602	1
1	Leg support Grandis Complete calf support 150 mm, right, SW 40 cm	88603	1
1	Leg support Grandis Complete calf support 225 mm, right, SW 43 cm	88604	1
1	Leg support Grandis Complete calf support 225 mm, right, SW 45 cm	88605	1
1	Leg support Grandis Complete calf support 225 mm, right, SW 50 cm	88606	1
1	Leg support Grandis Complete calf support 225 mm, right, SW 55 cm	88607	1
1	Leg support Grandis Complete calf support 225 mm, right, SW 60 cm	88608	1
2	Leg support Grandis Complete calf support 150 mm, left, SW 35 cm	88609	1
2	Leg support Grandis Complete calf support 150 mm, left, SW 38 cm	88610	1
2	Leg support Grandis Complete calf support 150 mm, left, SW 40 cm	88611	1
2	Leg support Grandis Complete calf support 225 mm, left, SW 43 cm	88612	1
2	Leg support Grandis Complete calf support 225 mm, left, SW 45 cm	88613	1
2	Leg support Grandis Complete calf support 225 mm, left, SW 50 cm	88614	1
2	Leg support Grandis Complete calf support 225 mm, left, SW 55 cm	88615	1
2	Leg support Grandis Complete calf support 225 mm, left, SW 60 cm	88616	1

NETTI GRANDIS



EXTENSION PART GRANDIS

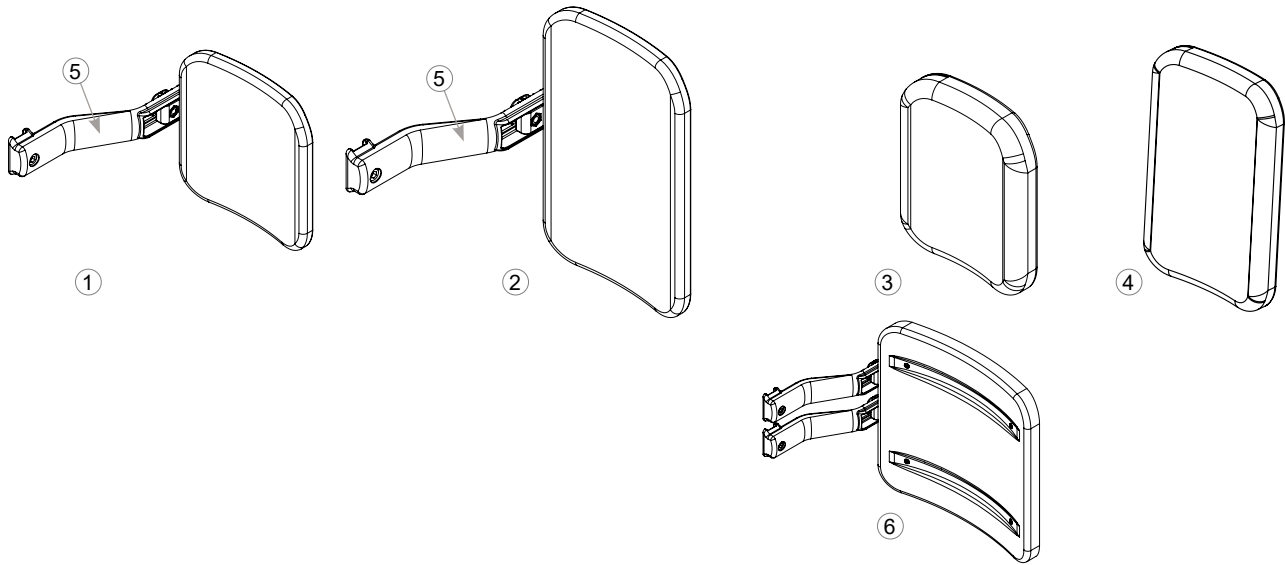
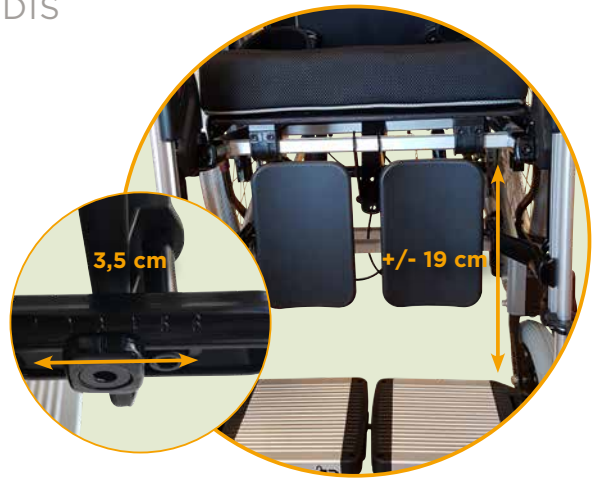
Position	Description	Item no.	Pcs. per chair
1	Extension part Grandis right	85974	1
2	Extension part Grandis left	85975	1
3	Extension part Grandis with 2,5 cm abduction right	89839	1
4	Extension part Grandis with 2,5 cm abduction left	89840	1



LEG SUPPORT UPPER PART AND ACCESSORIES

Position	Description	Item no.	Pcs. per chair
3	Leg support Grandis Complete right	88671	1
4	Leg support Grandis Complete left	88672	1
5	Lifting handle right	87808	1
6	Lifting handle left	87809	1
7	Knee pivot upholstery Grandis	88594	2
8	Knee upholstery Grandis right	85859	1
9	Knee upholstery Grandis left	85860	1
10	Angle limiter Grandis leg support	85977	2/4
11	Soft need upholstery Grandis 3D right	89120	1
12	Soft need upholstery Grandis 3D left	89121	1
11	Soft need upholstery Grandis Easy Care right	89849	1
12	Soft need upholstery Grandis Easy Care left	89850	1

NETTI GRANDIS



CALF SUPPORT GRANDIS

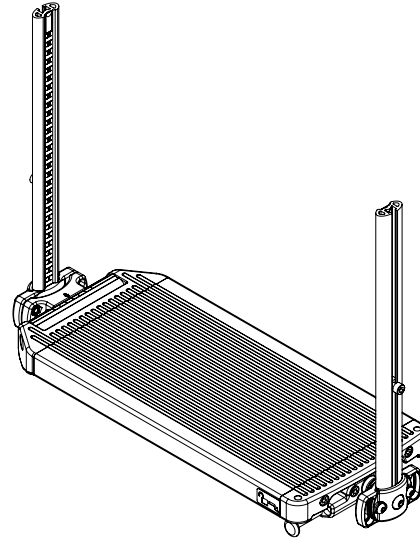
Position	Description	Item no. 150 mm	Item no. 225 mm	Pcs. per chair
1	Calf support Grandis SW 35 cm	85680	-	2
1	Calf support Grandis SW 38-40 cm	85681	-	2
2	Calf support Grandis SW 43-45 cm	-	88634	2
2	Calf support Grandis SW 50 cm	-	88635	2
2	Calf support Grandis SW 55 cm	-	88636	2
2	Calf support Grandis SW 60 cm	-	88637	2
3	Cover calf support Grandis 3D SW 35 cm	85074	-	2
3	Cover calf support Grandis 3D SW 38-40 cm	85075	-	2
4	Cover calf support Grandis 3D SW 43-45 cm	-	88650	2
4	Cover calf support Grandis 3D SW 50 cm	-	88651	2
4	Cover calf support Grandis 3D SW 55 cm	-	88652	2
4	Cover calf support Grandis 3D SW 60 cm	-	88653	2
3	Cover calf support Grandis EasyCare SW 35 cm	88624	-	2
3	Cover calf support Grandis EasyCare SW 38-40 cm	88625	-	2
4	Cover calf support Grandis EasyCare SW 43-45 cm	-	88654	2
4	Cover calf support Grandis EasyCare SW 50 cm	-	88655	2
4	Cover calf support Grandis EasyCare SW 55 cm	-	88656	2
4	Cover calf support Grandis EasyCare SW 60 cm	-	88657	2
5	Calf support bracket Grandis	90014		2
6	Calf support Grandis SW 65 cm	-	89489	2
6	Calf support Grandis SW 70 cm	-	89490	2
6	Calf support Grandis SW 75 cm	-	89491	2

NETTI GRANDIS



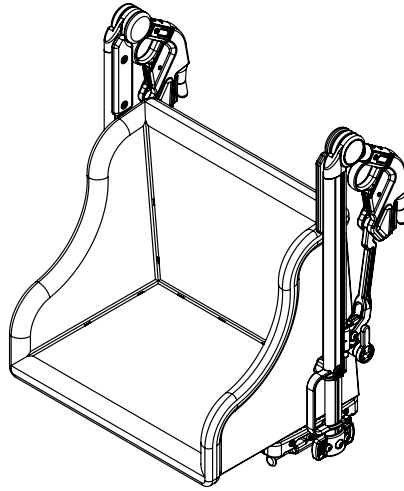
FOOT PLATE GRANDIS AND ACCESSORIES

Position	Description	Item no.	Pcs. per chair
1	Foot plate Grandis with lock, right SW 35 cm	85912	1
1	Foot plate Grandis with lock, right SW 38 cm	85913	1
1	Foot plate Grandis with lock, right SW 40 cm	85914	1
1	Foot plate Grandis with lock, right SW 43 cm	85915	1
1	Foot plate Grandis with lock, right SW 45 cm	85916	1
1	Foot plate Grandis with lock, right SW 50 cm	85917	1
1	Foot plate Grandis with lock, right SW 55 cm	85918	1
1	Foot plate Grandis with lock, right SW 60 cm	85919	1
2	Foot plate Grandis with lock, left SW 35 cm	85920	1
2	Foot plate Grandis with lock, left SW 38 cm	85921	1
2	Foot plate Grandis with lock, left SW 40 cm	85922	1
2	Foot plate Grandis with lock, left SW 43 cm	85923	1
2	Foot plate Grandis with lock, left SW 45 cm	85924	1
2	Foot plate Grandis with lock, left SW 50 cm	85925	1
2	Foot plate Grandis with lock, left SW 55 cm	85926	1
2	Foot plate Grandis with lock, left SW 60 cm	85927	1
3	Foot plate lock for Grandis foot plate	85745	1
4	Lock pin w/washer for Grandis foot plate	85751	1
5	Ankle huggers attachment kit for Grandis foot plates	88658	1



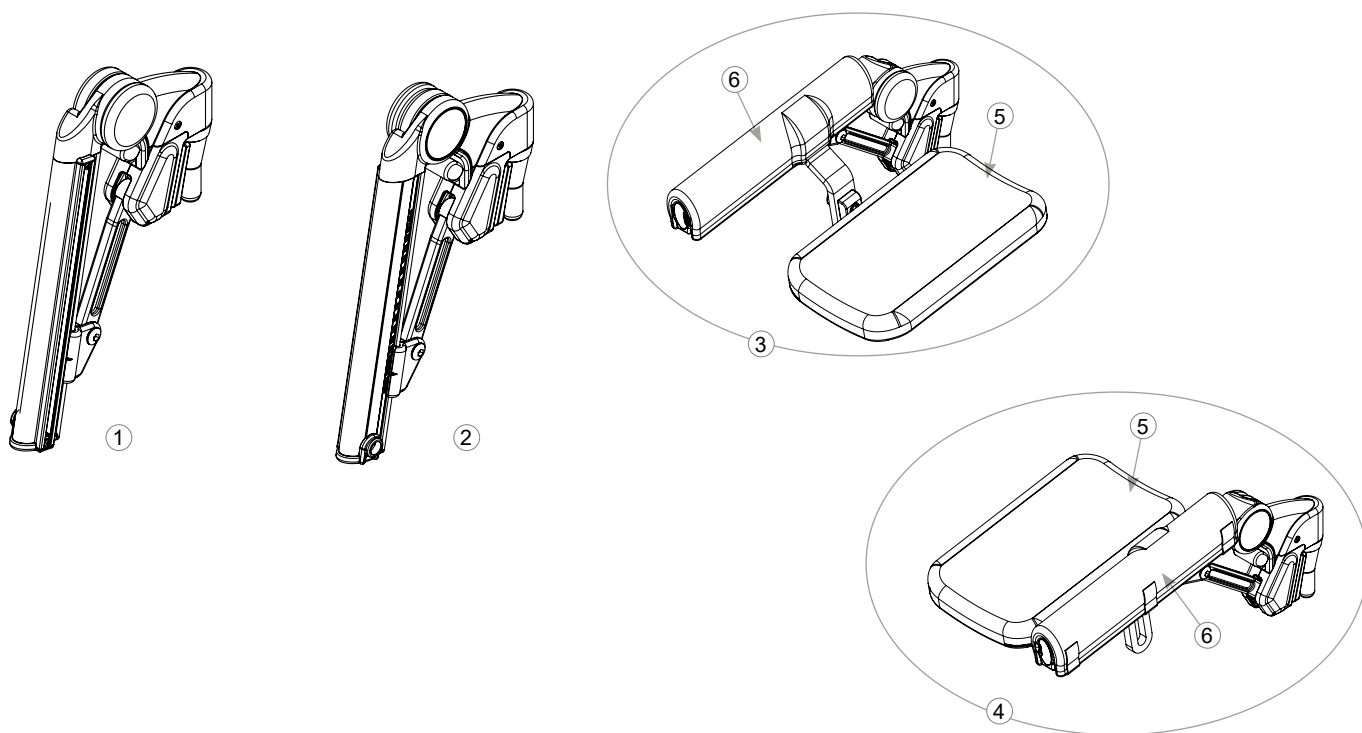
GRANDIS FOOT BOARD

Position	Description	Item no.	Pcs. per chair
1	Grandis foot board SW 35 cm	89272	1
1	Grandis foot board SW 38 cm	89273	1
1	Grandis foot board SW 40 cm	89274	1
1	Grandis foot board SW 43 cm	89275	1
1	Grandis foot board SW 45 cm	89276	1
1	Grandis foot board SW 50 cm	89277	1
1	Grandis foot board SW 55 cm	89278	1
1	Grandis foot board SW 60 cm	89279	1
1	Grandis foot board SW 65 cm	89280	1
1	Grandis foot board SW 70 cm	89281	1
1	Grandis foot board SW 75 cm	89282	1



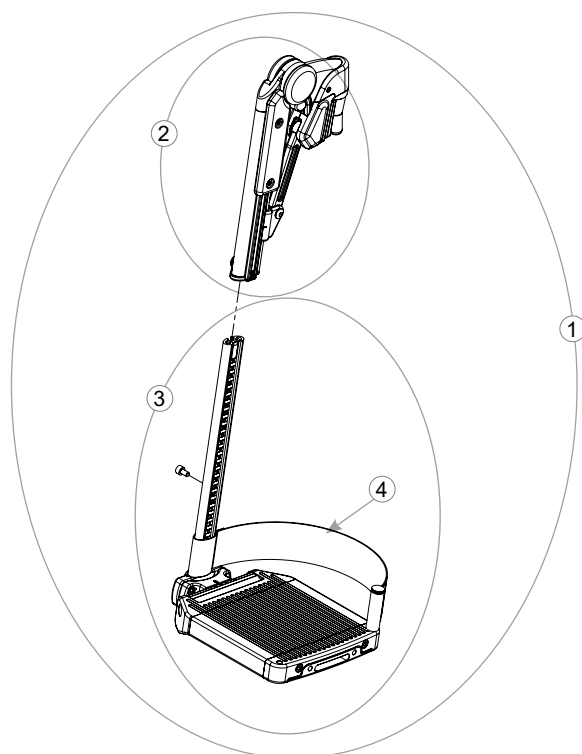
GRANDIS FOOT BOX

Position	Description	Item no.	Pcs. per chair
1	Foot box compl. w/leg support SW 35 cm	89378	1
1	Foot box compl. w/leg support SW 38 cm	89379	1
1	Foot box compl. w/leg support SW 40 cm	89380	1
1	Foot box compl. w/leg support SW 43 cm	89381	1
1	Foot box compl. w/leg support SW 45 cm	89382	1
1	Foot box compl. w/leg support SW 50 cm	89383	1
1	Foot box compl. w/leg support SW 55 cm	89384	1
1	Foot box compl. w/leg support SW 60 cm	89385	1



GRANDIS AMPUTATION SUPPORT

Position	Description	Item no.	Pcs. per chair
1	Grandis amputation support right	87231	1
2	Grandis amputation support left	87232	1
3	Grandis amputation support right SW 35 cm 3D	87560	1
3	Grandis amputation support right SW 38-40 cm 3D	87561	1
3	Grandis amputation support right SW 43 - 45 cm 3D	87562	1
3	Grandis amputation support right SW 50 cm 3D	87563	1
3	Grandis amputation support right SW 55 cm 3D	87564	1
3	Grandis amputation support right SW 60 cm 3D	87565	1
4	Grandis amputation support left SW 35 cm 3D	87568	1
4	Grandis amputation support left SW 38-40 cm 3D	87569	1
4	Grandis amputation support left SW 43-45 cm 3D	87570	1
4	Grandis amputation support left SW 50 cm 3D	87571	1
4	Grandis amputation support left SW 55 cm 3D	87572	1
4	Grandis amputation support left SW 60 cm 3D	87573	1
5	Calf support for Grandis amputation support SW 35 cm*	89519	2
5	Calf support for Grandis amputation support SW 38-40 cm*	89520	2
5	Calf support for Grandis amputation support SW 43-45 cm*	89521	2
5	Calf support for Grandis amputation support SW 50 cm*	89522	2
5	Calf support for Grandis amputation support SW 55 cm*	89523	2
5	Calf support for Grandis amputation support SW 60 cm*	89524	2
6	Cover for Grandis amputation 3D	89527	2
6	Cover for Grandis amputation Easy Care	89528	2



LEG SUPPORT NETTI GRANDIS WITH FIXED ANGLE

Position	Description	Item no.	Pcs. per chair
1	Grandis leg support with fixed angle SW 35 cm right	87543	1
1	Grandis leg support with fixed angle SW 38 cm right	87544	1
1	Grandis leg support with fixed angle SW 40 cm right	87545	1
1	Grandis leg support with fixed angle SW 43 cm right	87546	1
1	Grandis leg support with fixed angle SW 45 cm right	87547	1
1	Grandis leg support with fixed angle SW 50 cm right	87548	1
1	Grandis leg support with fixed angle SW 55 cm right	87549	1
1	Grandis leg support with fixed angle SW 60 cm right	87550	1
1	Grandis leg support with fixed angle SW 35 cm left	87551	1
1	Grandis leg support with fixed angle SW 38 cm left	87552	1
1	Grandis leg support with fixed angle SW 40 cm left	87553	1
1	Grandis leg support with fixed angle SW 43 cm left	87554	1
1	Grandis leg support with fixed angle SW 45 cm left	87555	1
1	Grandis leg support with fixed angle SW 50 cm left	87556	1
1	Grandis leg support with fixed angle SW 55 cm left	87557	1
1	Grandis leg support with fixed angle SW 60 cm left	87558	1
2	Grandis upper leg support with fixed angle right	89862	1
2	Grandis upper leg support with fixed angle left	89863	1
3	Grandis foot support with heel strap SW 35 cm	87533	2
3	Grandis foot support with heel strap SW 38 cm	87534	2
3	Grandis foot support with heel strap SW 40 cm	87535	2
3	Grandis foot support with heel strap SW 43 cm	87536	2
3	Grandis foot support with heel strap SW 45 cm	87537	2
3	Grandis foot support with heel strap SW 50 cm	87538	2
3	Grandis foot support with heel strap SW 55 cm	87539	2
3	Grandis foot support with heel strap SW 60 cm	87540	2
4	Heel strap kit SW 35 cm	87525	2
4	Heel strap kit SW 38 cm	87526	2
4	Heel strap kit SW 40 cm	87527	2
4	Heel strap kit SW 43 cm	87528	2
4	Heel strap kit SW 45 cm	87529	2
4	Heel strap kit SW 50 cm	87530	2
4	Heel strap kit SW 55 cm	87531	2
4	Heel strap kit SW 60 cm	87532	2



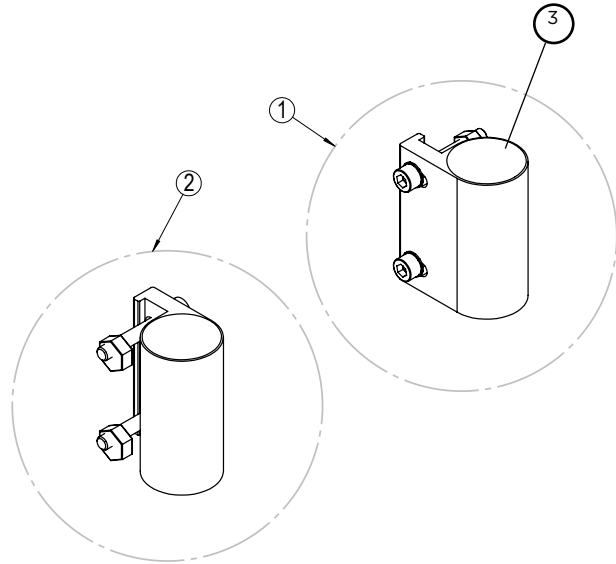
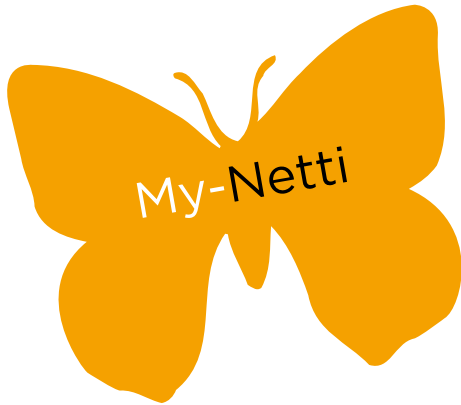
LOOKING FOR CUSHIONS?

Please see separate catalogue with our complete range of cushions.



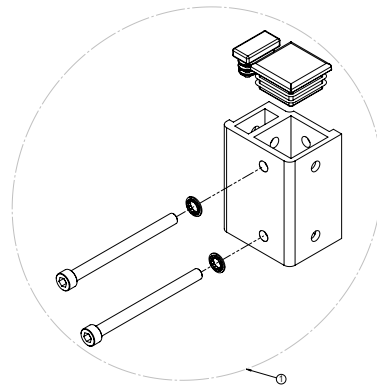
SUPPORT FOR FOOT AND LOWER LEG

Position	Description	Item no.	Pcs. per chair
1	Ankle huggers S incl. mounting kit (circumference above ankle: 17-20 cm)	45025	1
1	Ankle huggers M incl. mounting kit (circumference above ankle: 19-23 cm)	45026	1
1	Ankle huggers Large incl. mounting kit (circumference above ankle: 22-29 cm)	45027	1
1	Ankle huggers XL incl. mounting kit (circumference above ankle: 28-33 cm)	45028	1
	Mounting kit for ankle huggers	45024	1
	Ankle huggers attachment kit for Grandis foot plates	88658	1
2	Belt for foot plate	41643	2
3	Heel strap with w. Bolt SW 35 cm	23758	2
3	Heel strap with w. Bolt SW 38-40 cm	21870	2
3	Heel strap with w. Bolt SW 43-45 cm	21871	2
3	Heel strap with w. Bolt SW 50 cm	22142	2
3	Heel strap with w. Bolt SW 55 cm	22143	2
3	Heel strap with w. Bolt SW 60 cm	22144	2
4	Calf strap w/ upholstery	21293	1
5	Bodypoint Calf support M SW 35-45 cm	45019	1
5	Bodypoint Calf support L SW 50-55 cm	45020	1



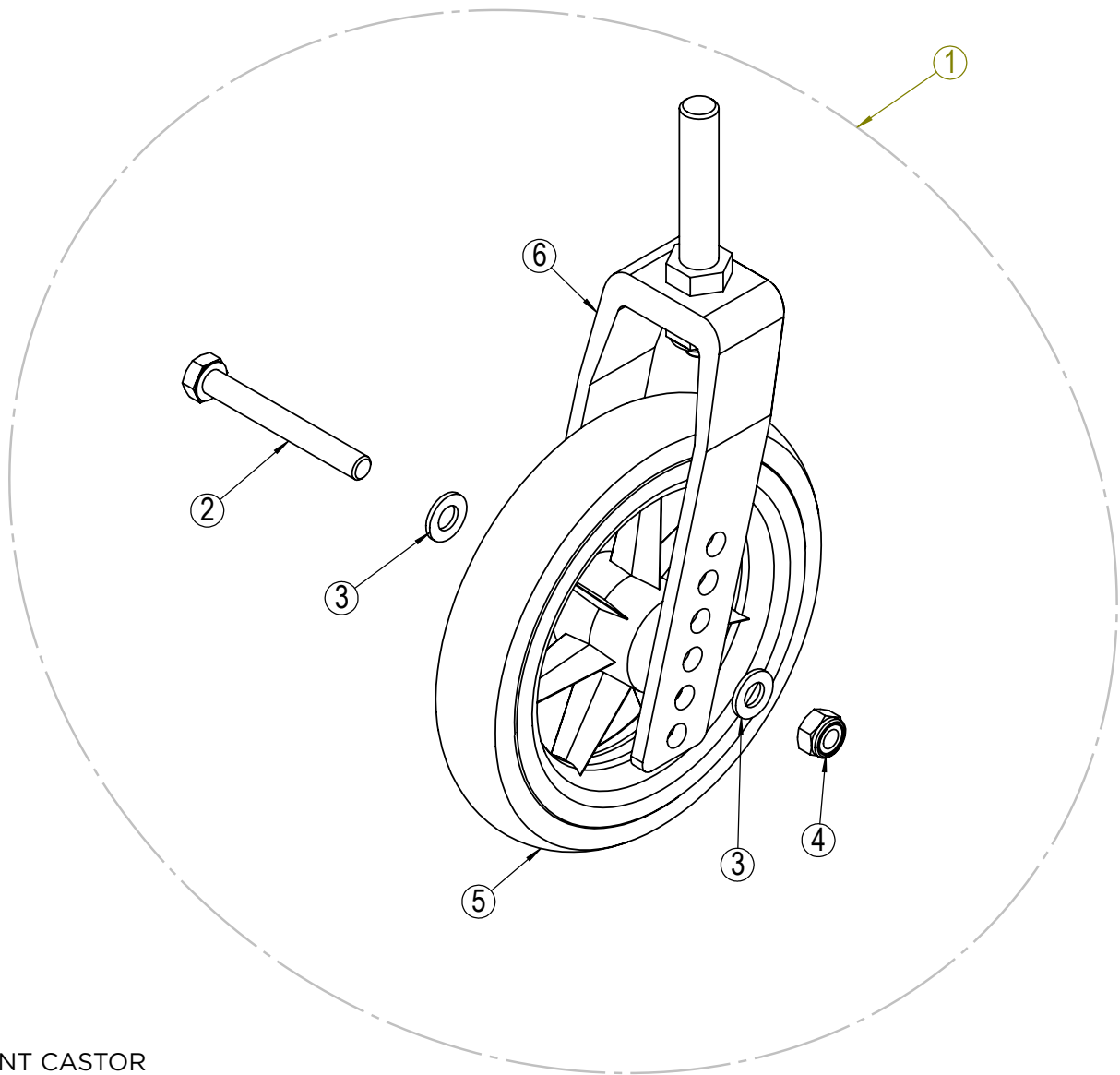
BEARING HOUSE KIT

Position	Description	Item no.	Pcs. per chair
1	Bearing house kit, right	26445	1
2	Bearing house kit, left	26446	1
3	Plug	20017	2



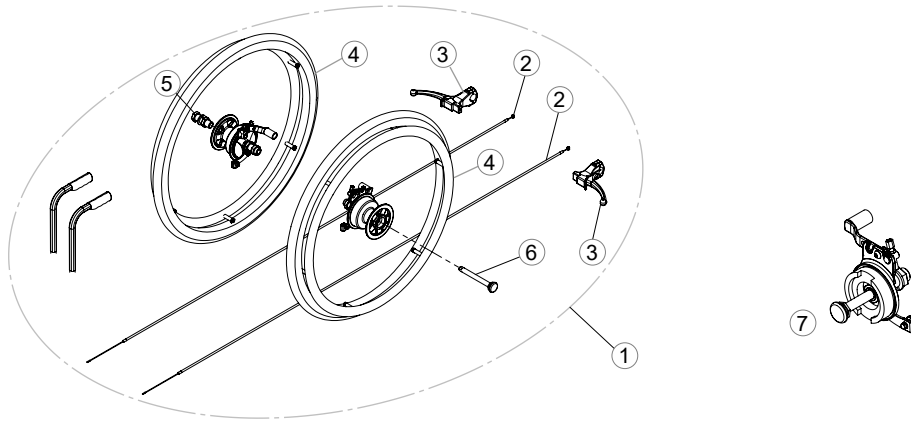
DISTANCE BUSH FRONT CASTOR

Position	Description	Item no.	Pcs. per chair
1	Distance bush front castor	20664	2



FRONT CASTOR

Position	Description	Item no.	Pcs. per chair
1	Front castor w/ fork 6" 150 x 30 mm, PU	86137	2
1	Front castor w/ fork 7" 175 x 33 mm, PU	90102	2
1	Front castor w/ fork 7" 175 x 45 mm, PU	90421	2
1	Front castor w/ fork 8" 200 x 50 mm, PU	90422	2
2	Skrew M8 x 65 mm	20419	2
3	Washer M8	20068	4
4	Nut M8	20412	2
5	Front castor 3" 75 x 33 mm, PU	20875	2
5	Front castor 5" 125 x 27 mm, PU	86142	2
5	Front castor 6" 150 x 30 mm, PU	86138	2
5	Front castor 7" 175 x 33 mm, PU	86135	2
5	Front castor 7" 175 x 45 mm, PU	89922	2
5	Front castor 7" 175x45 mm, Luft	20297	2
5	Front castor 8" 200 x 50 mm, PU	89921	2
6	Front fork xshort 95 X 45 mm, with quick release	29714	2
6	Front fork Standard, 146 x 45 mm, with quick release	90101	2
6	Front fork Short, 125 x 45 mm, with quick release	20142	2
6	Front fork Wide, 146 x 60 mm, with quick release	90420	2
6	Front fork Long, 180 x 45 mm, with quick release	20544	2
6	Front fork Long/Wide, 180x60 mm, with quick release	23601	2



DRUM BRAKE WHEEL AND ACCESSORIES

Drum brake kit including wheels

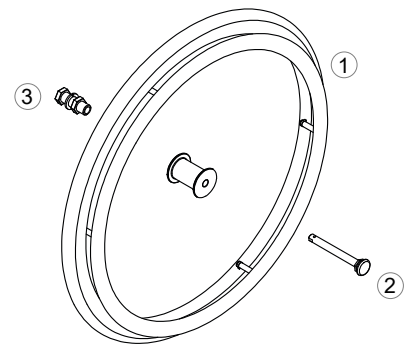
Position	Description	Artikelnr.	Pcs. per chair
	12" main wheel with drum brake flexel, kit incl. frame extender	23175	1
1	20" main wheel with drum brake, 20x1, puncture proof, kit	25472	1
1	22" main wheel with drum brake, 22x1 puncture proof, kit	24365	1
1	24" main wheel with drum brake, 24x1 puncture proof, kit	24310	1
1	26" main wheel with drum brake, 26x1 3/8 Flexel, kit	20675	1

Drum brake wheels (excl. wheel bearings)

Position	Description	Artikelnr.	Pcs. per chair
4	20" main wheel with drum brake, 20x1 PU	43105	2
4	20" main wheel with drum brake, 20x1 3/8 Flexel	43173	2
4	22" main wheel with drum brake, 22x1 PU	43101	2
4	22" main wheel with drum brake, 22x1 3/8 PU	89953	2
4	24" main wheel with drum brake, 24x1 PU	43103	2
4	24" main wheel with drum brake, 24x1 3/8 PU	89951	2
4	24" main wheel with drum brake, 24x1 3/8 Luft	43181	2
4	24" main wheel HD with drum brake, Flexel	81713	2
4	26" main wheel with drum brake, 26x1 3/8" PU	89954	2

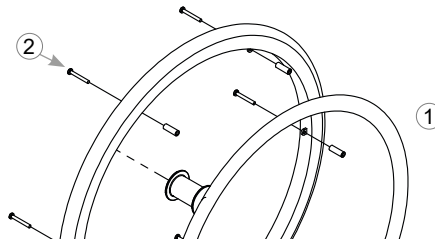
Accessories for drum brakes

Position	Description	Artikelnr.	Pcs. per chair
2	Wire 1400/ 1550 mm	27628	2
2	Wire long 2000/ 2200 mm (for 50 cm handles and push bow)	29718	2
3	Brake handle, lockable	41313	2
6	Quick release 12 x 118 mm	85264	2
5	Wheel bearings, Std, M18 x 1 mm x 70 mm, Ø12	85648	2
7	Brake plate incl. quick release and wheel bearing, right	85285	1
7	Brake plate incl. quick release and wheel bearing, left	85284	1



STANDARD WHEELS AND ACCESSORIES

Position	Description	Artikelnr.	Item no.
1	20" main wheel, 20x1 PU	83158	2
1	20" main wheel, 20x1 3/8 Flexel	43176	2
1	22" main wheel, 22x1 PU	83156	2
1	22" main wheel, 22x1 3/8 PU	89952	2
1	24" main wheel, 24x1 PU	83157	2
1	24" main wheel, 24x1 3/8 Flexel	89949	2
1	24" main wheel, 24x1 3/8 pneumatic	43184	2
1	24" main wheel HD	81683	2
1	26" main wheel, 26x1 3/8 PU	90013	2
2	Quick release 12 x 118 mm	85264	2
3	Wheel bearings, Std, M18 x 1 mm x 70 mm, Ø12	85648	2
2	Quick release 12 x 103 mm for HD wheels	20486	2



PUSH RIM

Position	Description	Item no.	Pcs. per chair
1	Push rim aluminium, 20"	43031	2
1	Push rim aluminium, 22"	43028	2
1	Push rim aluminium, 24"	43029	2
1	Push rim aluminium, 26"	43030	2
2	Wheel bushing complete (6 x screws M5x40 mm + adjustment piece)	21111	2

PUSH RIM COVER

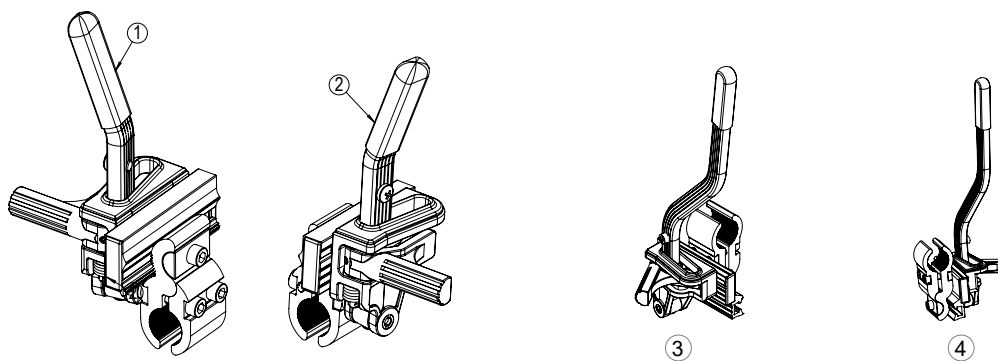
Position	Description	Item no.	Pcs. per chair
	Push rim cover 20"	86002	2
	Push rim cover 22"	86001	2
	Push rim cover 24"	86000	2
	Push rim cover 26"	86003	2

SPOKE PROTECTOR

Position	Description	Item no.	Pcs. per chair
	Spoke protector transparent 20"	24143	2
	Spoke protector transparent 22"	24144	2
	Spoke protector transparent 24"	24145	2
	Spoke protector transparent 26"	24146	2



See our movie "Mounting Frame extender and brakes" on My-Netti-TV.com



BRAKE

Position	Description	Item no.	Pcs. per chair
1	Brake Universal, complete with 90 mm handle, right	26852	1
2	Brake Universal, complete with 90 mm handle, left	26853	1
	Brake handle, 90 mm	84006	2
	Brake handle extender, 150 mm	84007	1/2
	Brake handle extender, 250 mm	84008	1/2
3	Brake for frame extension, right	41898	1
4	Brake for frame extension, left	41899	1

ONE-ARM GRIP

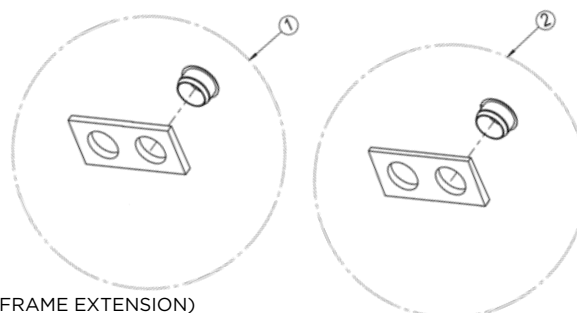
Position	Description	Item no.	Pcs. per chair
	24" one-arm grip, DB 24" x 1 3/8" wheel, Flexel	43357	1
	Telescopic bar 295-365 mm (width 35-40 cm)*	20438	1
	Telescopic bar 310-460 mm (width 43-50 cm)*	20436	1

* Telescopic bar must always be ordered together with main wheel.

Please note: One hand grip is made as special adaptation above sw 50 cm and it's not compatible with Netti III EL. Max load is 150 kg.

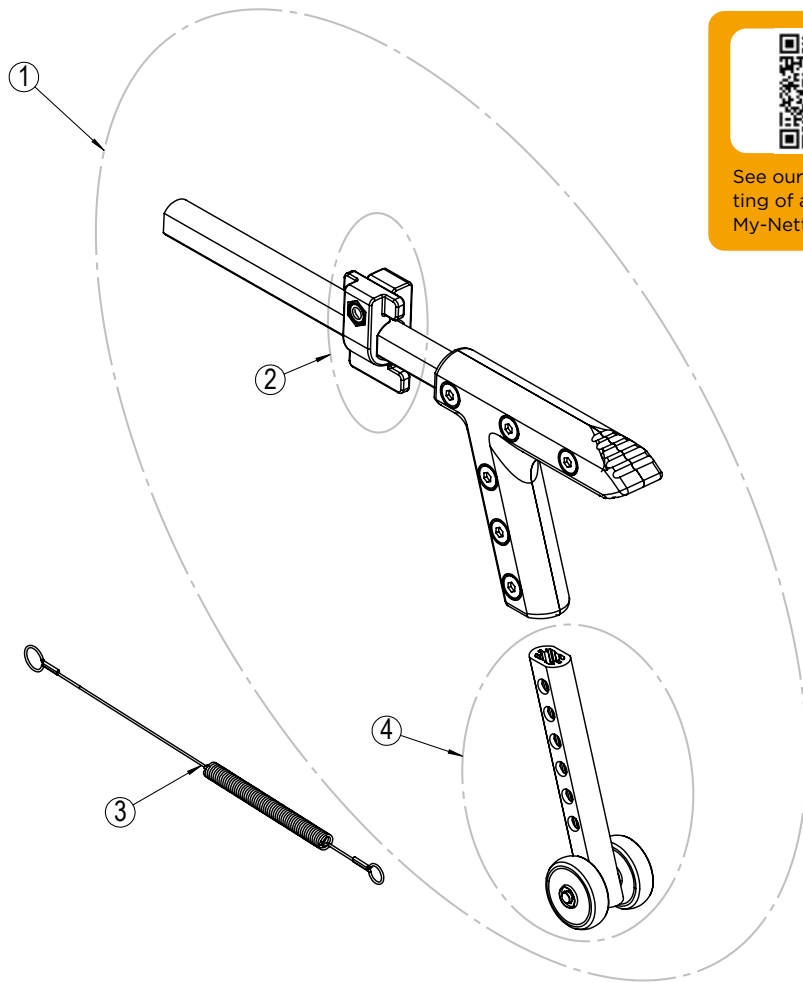
BRAKE ONE ARM (ONLY IN COMBINATION WITH DRUM BRAKES)

Position	Description	Item no.	Pcs. per chair
	Brake one arm, frame, right	27282	1
	Brake one arm, frame, left	27283	1



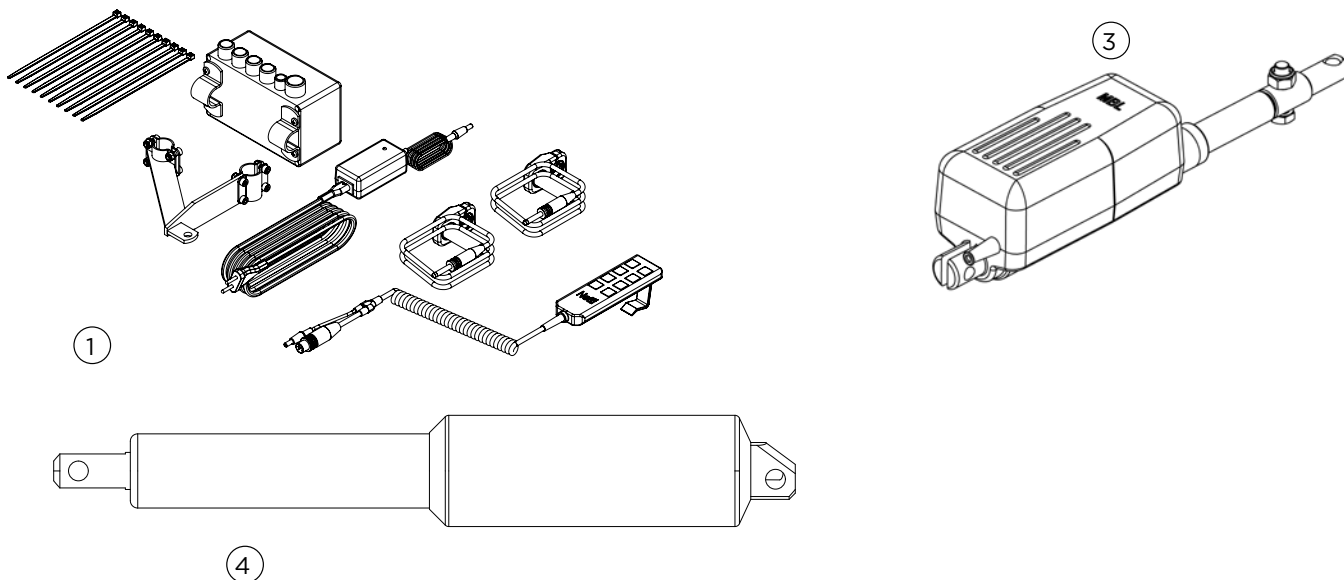
CAMBER ADAPTER SET (CANNOT BE COMBINED WITH FRAME EXTENSION)

Position	Description	Item no.	Pcs. per chair
1	Camber adapter set complete 2°, right and left	21923	1
2	Camber adapter set complete 4°, right and left	21924	1



ANTI TIP

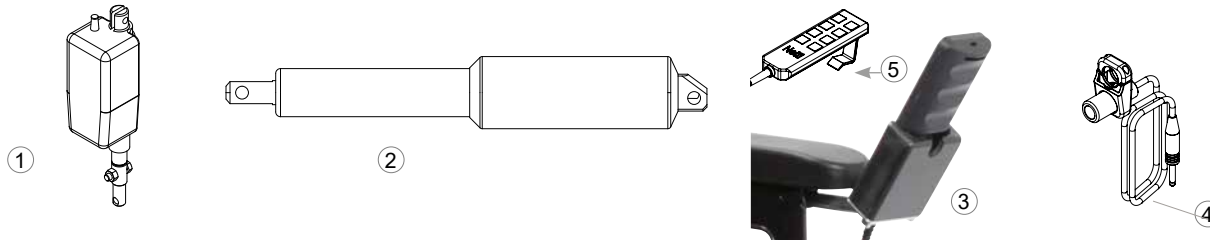
Position	Description	Item no.	Pcs. per chair
1	Anti tip Long/Long, 26" eller 8" main wheel	25418	2
1	Anti tip, Long/Short	25419	2
1	Anti tip, Extra Long/Long, for frame extension 20" / 24"	25422	2
1	Anti tip, Extra Long/Long, for frame extension 24" / 26"	25423	2
2	Anti tip lock bracket complete	26980	2
3	Anti tip spring 445 mm	24242	2
4	Anti tip vertical bar, short	26118	2
4	Anti tip vertical bar, long	27539	2



ELECTRICAL KIT - MAKING A STANDARD NETTI III ELECTRIC

Position	Description	Item no.	Pcs. per chair
1	Electronics including battery, remote control, cables, charger *	81995	1
	Motor, seat with bracket	27803	1
3	Motor back with bracket	27804	1
4	Motor, legrests	81566	2

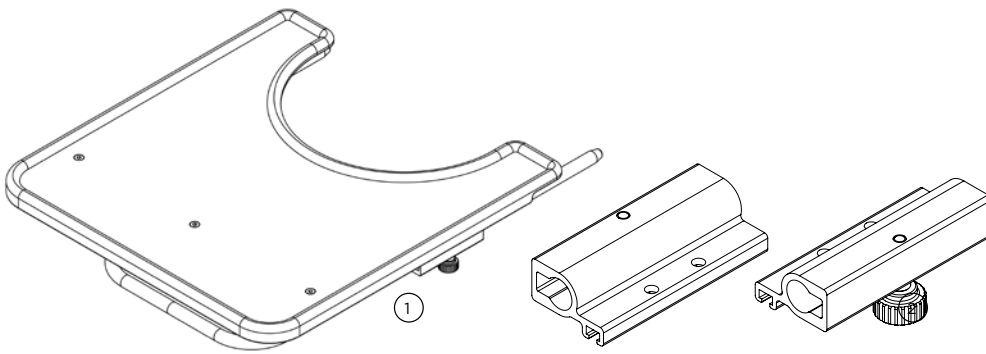
* Can only be used for Netti III & Netti III HD from 2003 or newer



SPARE PARTS FOR NETTI III EL

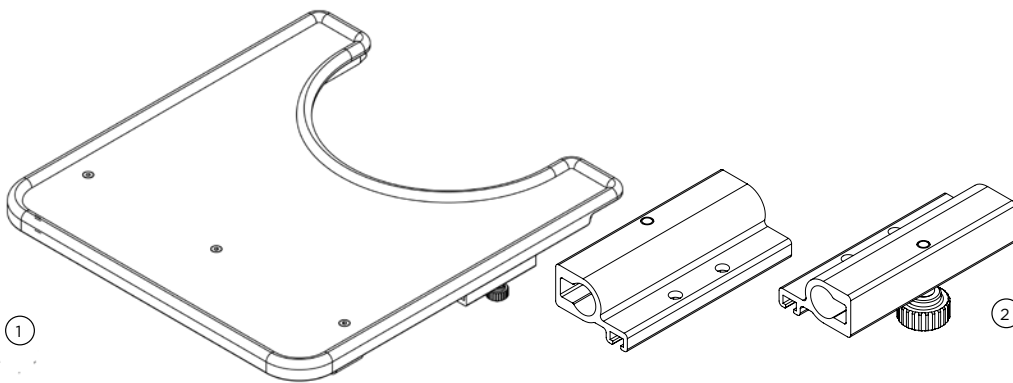
Position	Description	Item no.	Pcs. per chair
	Controlbox including 2 batteries	30300/45087*	1
	Manual operation	30305/45088*	1
	Charger (MBL 240 V)	30308/89708*	1
	Extension cable with bracket (for 89708)	89893*	1
	Contact bracket complete (for 89708)	89898*	1
	Battery 12V, 2.OAH	30225	2
	Motor, seat	81996	1
1	Motor back	30302	1
2	Motor, legrests	81566	2
	Legrest angle electrical Right	81544	1
	Legrest angle electrical Left	81545	1
3	Hand control holder R (not to be used in combination with table or hemi arm support)	41123	1
3	Hand control holder L (not to be used in combination with table or hemi arm support)	41124	1
4	Actuator cable with bracket	81991	2
5	Hand control hook	30317	1

*Please contact customer service.



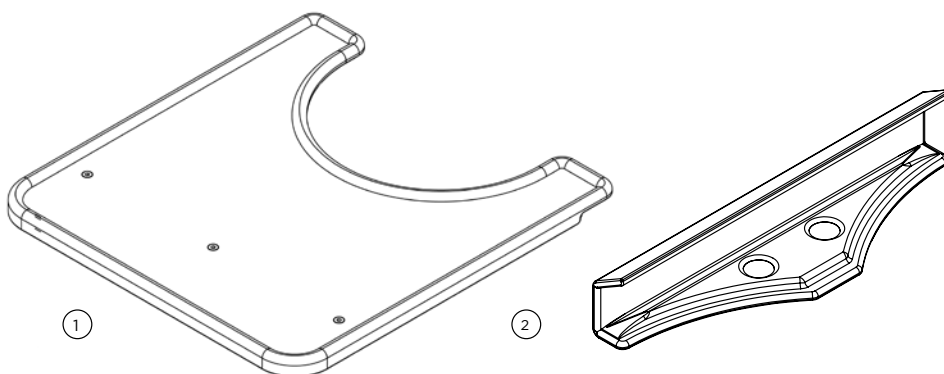
UNIVERSAL TRAY, HINGED

Position	Description	Item no.	Pcs. per chair
1	Universal tray hinged width 35-40 cm, swivel, reinforced	15140	1
1	Universal tray hinged width 43-50 cm, swivel, reinforced	15141	1
2	Adapter kit (pair)	80346	1



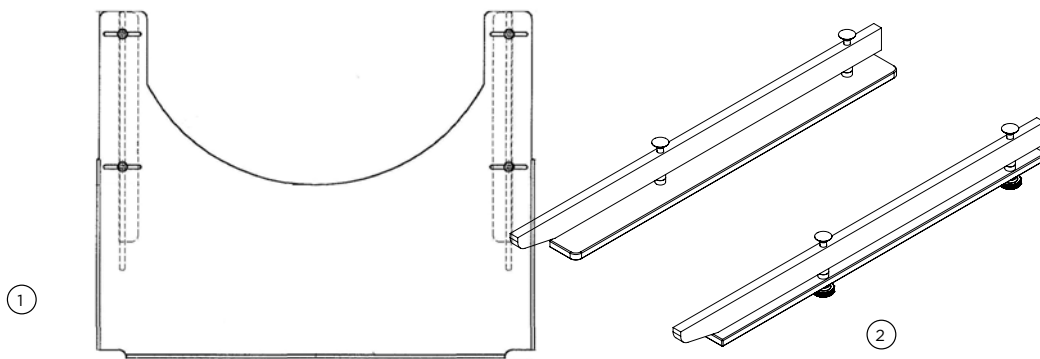
UNIVERSAL TRAY WITH LOCK

Position	Description	Item no.	Pcs. per chair
1	Universal tray with lock width 35-40 cm	15124	1
1	Universal tray with lock width 43-50 cm	15125	1
2	Adapter kit (pair)	80346	1



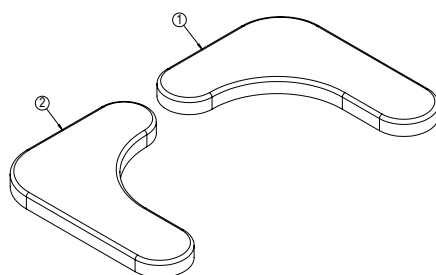
UNIVERSAL TRAY STANDARD

Position	Description	Item no.	Pcs. per chair
1	Universal tray standard, width 35-40 cm	15100	1
1	Universal tray standard, width 43-50 cm	15101	1
2	Guide rail for tray	15031	2



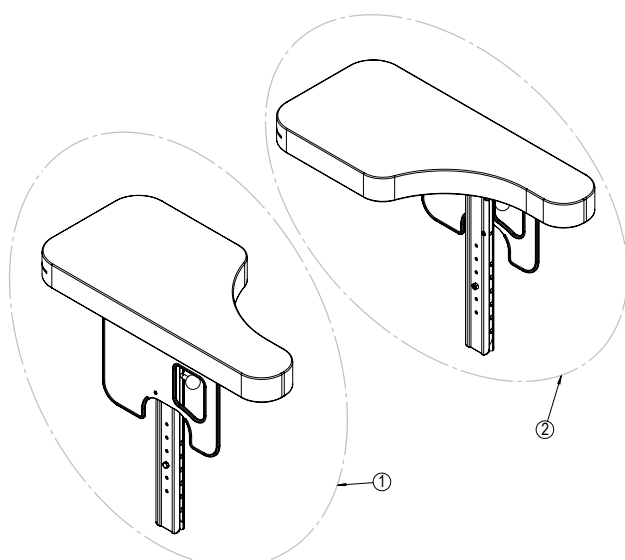
TRAY "PLAIN"

Position	Description	Item no.	Pcs. per chair
1	Tray "plain", width 35-43 cm	28121	1
1	Tray "plain", width 45-50 cm	28122	1
1	Tray "plain", width 55-60 cm	21610	1
2	Bracket Kit (bracket for tray incl. adjust. piece and nut)	44512	1



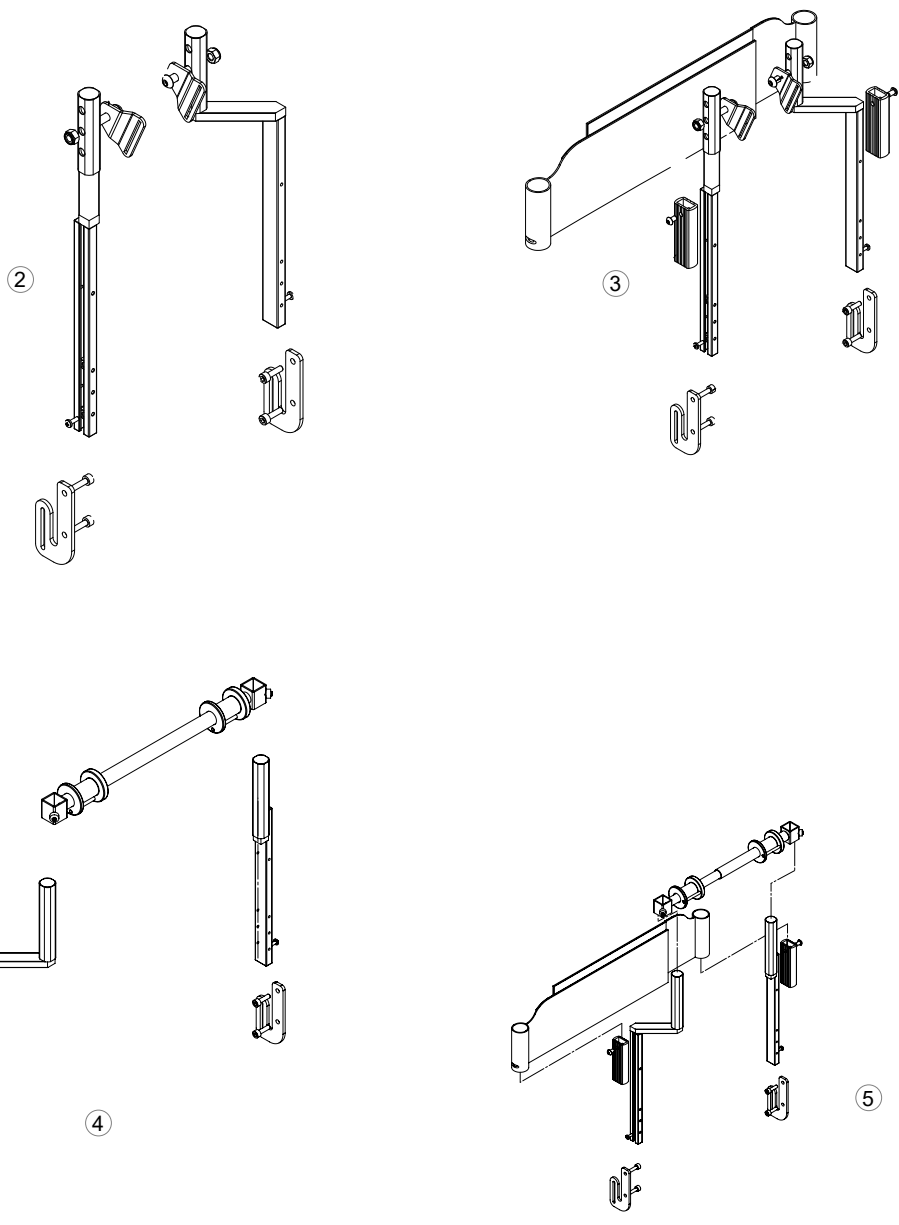
TRAY UPHOLSTERY

Position	Description	Item no.	Pcs. per chair
1	Tray upholstery width 25-43 cm, right	15042	1
2	Tray upholstery, width 25-43 cm, left	15043	1
1	Tray upholstery width 45-60 cm, right	15040	1
2	Tray upholstery width 45-60 cm, left	15041	1



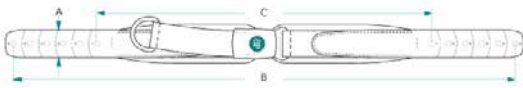
HALF TRAY

Position	Description	Item no.	Pcs. per chair
1	Half tray, right	23978	1
2	Half tray, left	23979	1

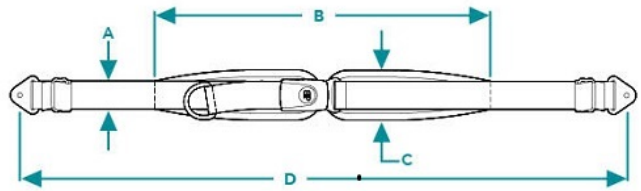


H-BELT ADAPTOR

Position	Description	Item no.	Pcs. per chair
2	H-harness adaptor kit for seat width 25-40 cm, back height standard	86888	1
3	H-harness adaptor kit for seat width 25-40 cm, back height extended	86889	1
4	H-harness adaptor kit for seat width 43-45 cm, back height standard	86892	1
5	H-harness adaptor kit for seat width 43-45 cm, back height extended	86893	1
4	H-harness adaptor kit for seat width 50-60 cm, back height standard	86894	1
5	H-harness adaptor kit for seat width 50-60 cm, back height extended	86895	1



#	A	B	C
45021	2,5 cm	63 cm	43 cm
82788	4 cm	76 cm	50 cm
82789	5 cm	96 cm	65 cm



#	A	B	C	D
45081	4 cm	36 cm	5,5 cm	130 cm
45013	4 cm	46 cm	5,5 cm	142 cm
45014	5 cm	57,5 cm	7,5 cm	155 cm
20845	4,7 cm	50 cm	7 cm	167 cm
45096	4 cm	36 cm	5,5 cm	130 cm
45079	4 cm	40 cm	5 cm	142 cm
45080	4 cm	46 cm	5 cm	142 cm
45276	5 cm	82 cm	9 cm	206 cm
45277	5 cm	92 cm	10 cm	206 cm



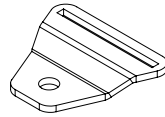
①



②



③



④



⑥



⑤



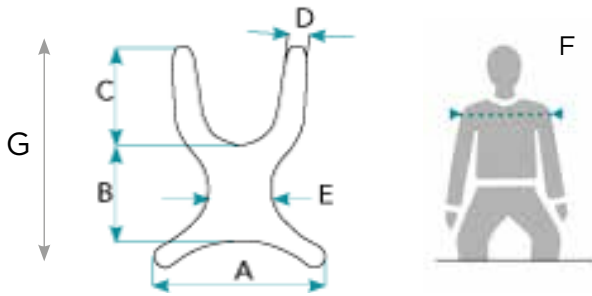
⑧



⑦

BELTS NETTI AND BODYPOINT

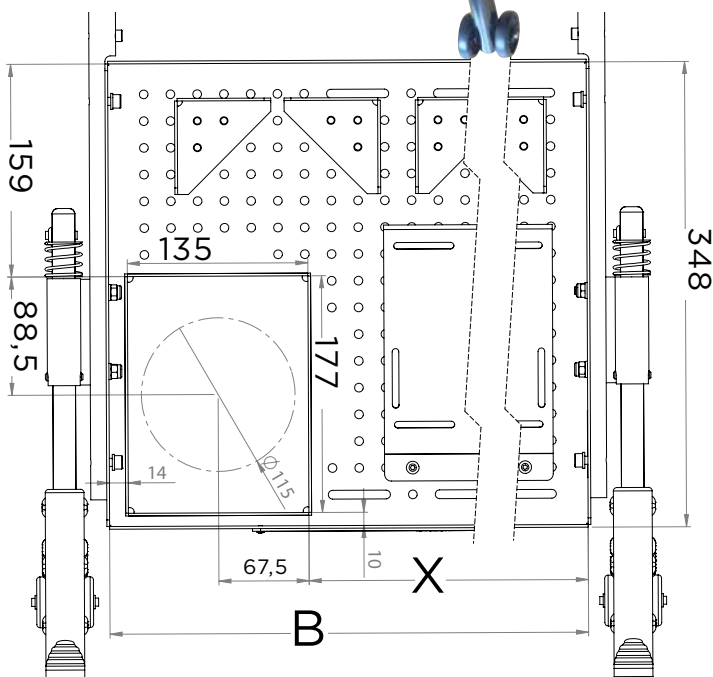
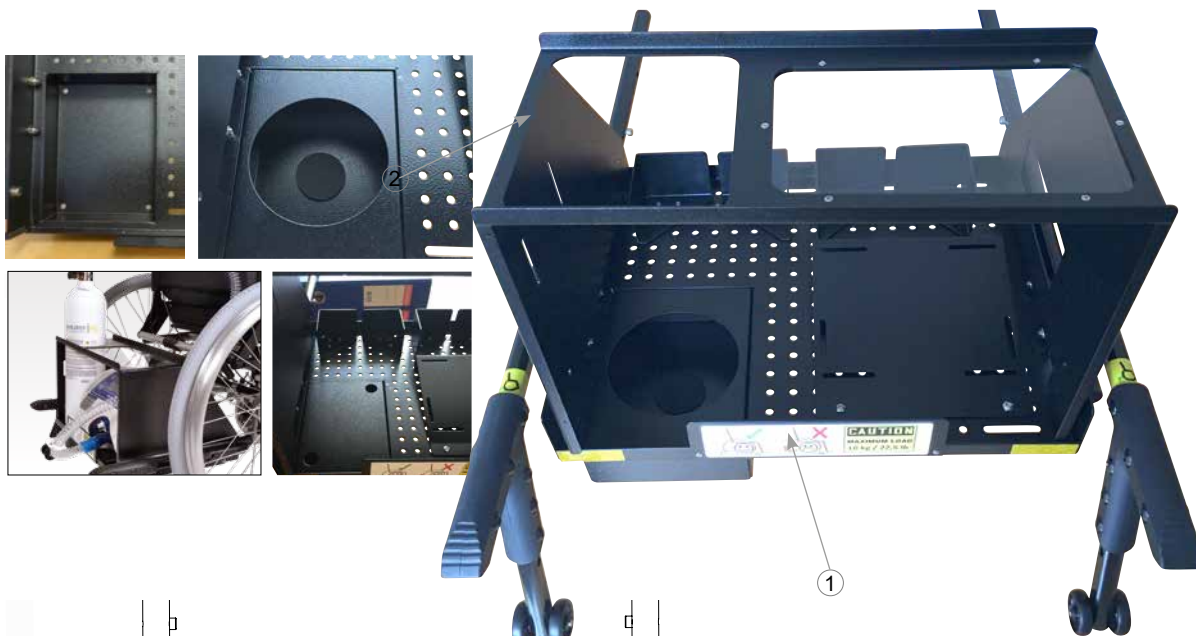
Position	Description	Item no.	Pcs. per chair
1	Bodypoint pelvic stabiliser Evoflex 2-point XS (bracket 45279 not included)	45021	1
1	Bodypoint pelvic stabiliser Evoflex 2-point M (bracket 45279 not included)	82788	1
1	Bodypoint pelvic stabiliser Evoflex 2-point L (bracket 45279 not included)	82789	1
	Bracket for 2-point Bodypoint belt	45279	1
2	Bodypoint 4-point belt XS (bracket 45280 not included)	45081	1
2	Bodypoint 4-point belt M (bracket 45280 not included)	45013	1
2	Bodypoint 4-point belt L (bracket 45280 not included)	45014	1
	Bracket for 4-point Bodypoint belt	45280	1
3	Netti Hip belt, with upholstery and car belt lock incl. brackets	20845	1
4	Extra bracket for Netti hip belt	41698	2
5	Bodypoint Belt hip, 2-point XS (bracket 45279 not included)	45096	1
5	Bodypoint Belt hip, 2-point S (bracket 45279 not included)	45079	1
5	Bodypoint Belt hip, 2-point M (bracket 45279 not included)	45080	1
5	Bodypoint Belt hip, 2-point 82 cm for SW 55-65 cm (bracket 45279 not included)	45276	1
5	Bodypoint Belt hip, 2-point 92 cm for SW 65-75 cm (bracket 45279 not included)	45277	1
6	Security cover XS, Bodypoint, 2,5 cm	45047	1
6	Security cover M, Bodypoint, 4 cm	45048	1
6	Security cover L, Bodypoint, 5 cm	45049	1
7	Abduction belt SW 35-45 cm	41646	1
7	Abduction belt SW 50-60 cm	41647	1
8	Universal Elastic Strap S (H: 8 cm - L: 142 cm, possible to shorten)	45084	1
8	Universal Elastic Strap L (H: 11 cm - L: 142 cm, possible to shorten)	45085	1
8	Universal Elastic Strap XL (H: 15 cm - L: 142 cm, possible to shorten)	45086	1



#	A	B	C	D	E	F	G
41645	22 cm	12 cm	21 cm	6,5 cm	13 cm	-	-
45093						24-28 cm	
45094						28-33 cm	
45015	30 cm	18 cm	20 cm	4 cm	13 cm	33-41 cm	-
45016	38 cm	21 cm	23 cm	6 cm	13 cm	41-48 cm	-
45095						48-56 cm	
45089						21-24 cm	
45090						24-28 cm	
45091						28-33 cm	
45017	-	15-25,5 cm	-	-	-	33-41 cm	37 cm
45018	-	17-30 cm	-	6,5 cm	-	41-48 cm	42,5 cm
45092						48-56 cm	

H-BELT & HARNESSSES: NETTI & BODYPOINT (we recommend H-belt adaptor)

Position	Description	Item no.	Pcs. per chair
1	Netti H-belt upholstered with car lock	20881	1
2	Netti Belt Cross harness	41645	1
3	Bodypoint Stayflex chest support XS	45093	1
3	Bodypoint Stayflex chest support S	45094	1
3	Bodypoint Stayflex chest support M	45015	1
3	Bodypoint Stayflex chest support L	45016	1
3	Bodypoint Stayflex chest support XL	45095	1
4	Bodypoint PivotFit Shoulder Harness XXS	45089	1
4	Bodypoint PivotFit Shoulder Harness XS	45090	1
4	Bodypoint PivotFit Shoulder Harness S	45091	1
4	Bodypoint PivotFit Shoulder Harness M	45017	1
4	Bodypoint PivotFit Shoulder Harness L	45018	1
4	Bodypoint PivotFit Shoulder Harness XL	45092	1



	B	X
30 cm	264 mm	115 mm
35 cm	314 mm	165 mm
38 cm	344 mm	195 mm
40 cm	364 mm	215 mm
43 cm	394 mm	245 mm
45 cm	414 mm	265 mm
50 cm	464 mm	315 mm
55 cm	514 mm	365 mm
60 cm	564 mm	415 mm
65 cm	614 mm	465 mm
70 cm	664 mm	515 mm
75 cm	714 mm	565 mm

UNIVERSAL DEVICE BOX

Position	Description	Item no.	Pcs. per chair
1	Universal device box 35 cm incl. 4 angles	44840	1
1	Universal device box 38 cm incl. 4 angles	44841	1
1	Universal device box 40 cm incl. 4 angles	44842	1
1	Universal device box 43 cm incl. 4 angles	44843	1
1	Universal device box 45 cm incl. 4 angles	44844	1
1	Universal device box 50 cm incl. 4 angles	44845	1
1	Universal device box 55 cm incl. 4 angles	44846	1
1	Universal device box 60 cm incl. 4 angles	44847	1
2	Device box cover plate 2. level, 35 cm	44851	1
2	Device box cover plate 2. level, 38 cm	44852	1
2	Device box cover plate 2. level, 40 cm	44853	1
2	Device box cover plate 2. level, 43 cm	44854	1
2	Device box cover plate 2. level, 45 cm	44855	1
2	Device box cover plate 2. level, 50 cm	44856	1
2	Device box cover plate 2. level, 55 cm	44857	1
2	Device box cover plate 2. level, 60 cm	44858	1
3	Angle allocator (4 pieces)	80-10017	1



MULTI RACK

Position	Description	Item no.	Pcs. per chair
	Multi rack. To be mounted on the back top tube	41987	1



LOOKING FOR CUSHIONS?

Please see separate catalogue with our complete range of cushions.

IN DIALOGUE WE CREATE SIMPLE SOLUTIONS AND ENABLE JOY OF LIFE

*What can we
do for you?*



CHRISTINA DYLMER

BJØRN RUNE BJØRNSEN

METTE BOSSOW

DETLEF SCHÄFER-NORZEL

FEEL FREE TO CONTACT US:



NORWAY
Alu Rehab AS
Bedriftsvegen 23
N-4353 Klepp Stasjon

T: +47 51 78 62 20
post@My-Netti.com

DENMARK
Alu Rehab ApS
Kløftehøj 8
DK-8680 Ry

T: +45 87 88 73 00
F: +45 87 88 73 19
info@My-Netti.com

[My-Netti.com](https://www.my-netti.com)