

POOL LIFT PTH

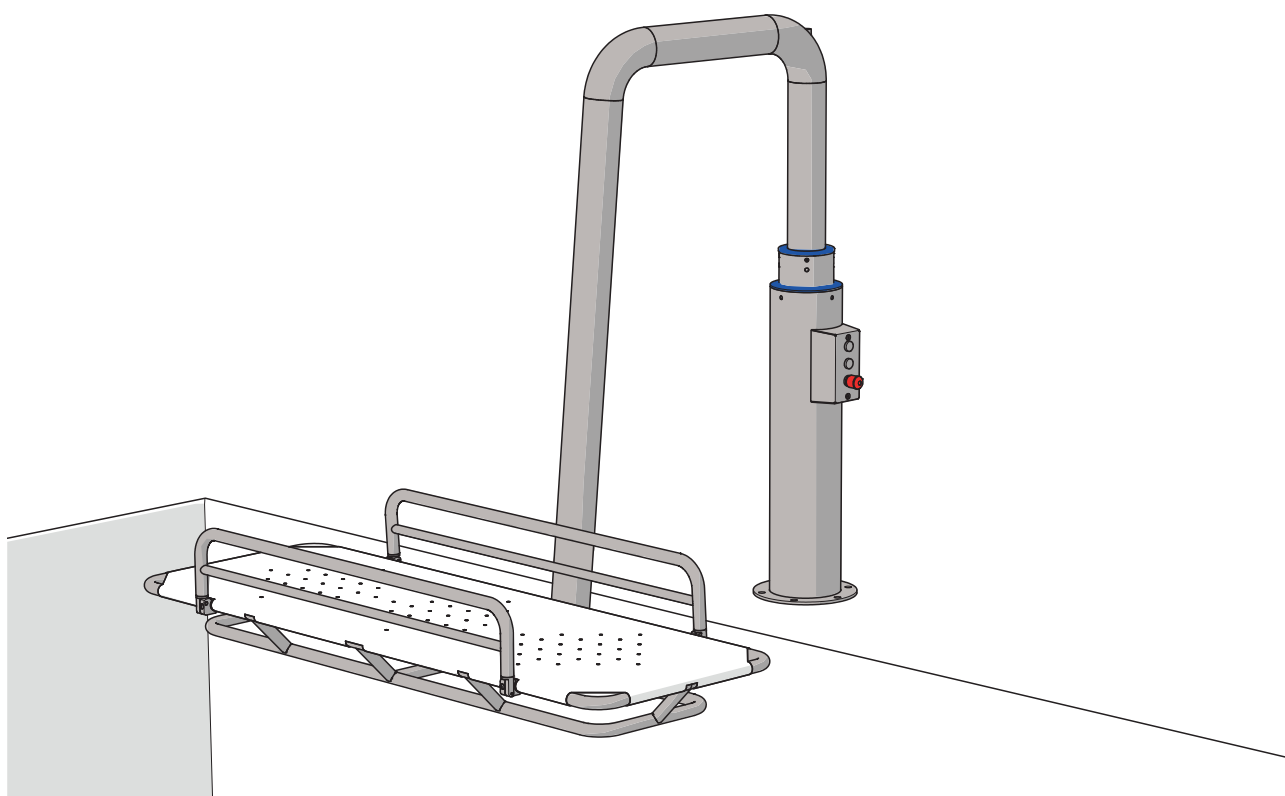


TIELEMAN

POOL TECHNOLOGY

MANUAL

VERSION: 0.1
DATE: 08-03-2023
LANGUAGE: English



YOUR PARTNER IN HYDROTHERAPY

+31 (0)313 476 265 | info@tzhbv.nl | www.tieleman.eu/en



A warranty can only be given if the operating and maintenance instructions are followed correctly and the necessary servicing is carried out according to a maintenance contract by Tieleman Pool Technology.

Nothing in these operating and maintenance instructions may be copied and/or made public in any way whatsoever without the prior written consent of Tieleman Pool Technology.

INTRODUCTION

This manual contains all the information required for the safe and correct operation of the Tieleman pool lift. This manual is written for the end user of the pool lift. Please ensure that you have read and understood the entire contents before using it.



Tieleman Pool Technology reserves the right, in the context of improvement, to modify the contents of this manual without prior notice.

Intended use



The pool lift is designed to lift a client in and out of a pool. The pool lift is intended for professional use by medical specialists and is used in combination with the height-adjustable stretcher (VHB10.10 750) and the wheelchair (large wheels or small wheels), hereafter referred to as an accessory.

Symbolen

The following safety symbols are used in this manual:

Symbol with signal word	Can lead to the following situations
 WARNING	May lead to death or serious injury
 CAUTION	Risk of minor injury

Other symbols:

	Provides further explanations of part of the instruction
	Refers to an external document

Liability

The manufacturer cannot be made liable for personal injury, damage to the pool lift or property damage caused by improper use, foreseeable incorrect use or failure to follow instructions in this operating manual. This also applies to unauthorised changes to the pool lift and the use of unapproved spare parts, tools or accessories.

Compliance

The pool lift complies with the following standards:

- MD 93/42/EEC
- EN-ISO 12100:2010
- EN 12182:2012
- EN 13451:2020
- 2006/42/EC

The complete declaration of conformity (CE) can be found in Appendix A of this manual.

CONTENTS

1. PRODUCT DETAILS	04
1.1. Description	04
1.2. Components	04
1.3. Specifications	05
1.4. Identification number	05
2. SAFETY	06
2.1. Safety precautions	06
2.2. Safety instructions	06
3. OPERATION	07
3.1. Adjusting the height of the pool lift	07
3.2. Rotating the pool lift	08
3.3. Connecting the pool lift to the accessory	09
3.4. Activating and deactivating the rotation lock	10
3.5. Lifting the accessory into the water	12
3.6. Putting back the accessory	12
3.7. Putting the pool lift in rest position	13
4. SERVICE AND INSPECTION	14
4.1. Service	14
4.2. Inspection	14
5. TRANSPORTATION AND STORAGE	15
6. DISCARD	16
7. APPENDICES	17
7.1. Appendix A - Declaration of conformity (CE)	17

1. PRODUCT DETAILS

1.1. Description

The product is a pool lift intended for use in swimming pools by medical specialists. The pool lift consists of a height-adjustable lift arm (U-tube), a lift pin, a rotation lock and a control panel with three buttons.

1.2. Components

See figure 1 for the main components of the pool lift.

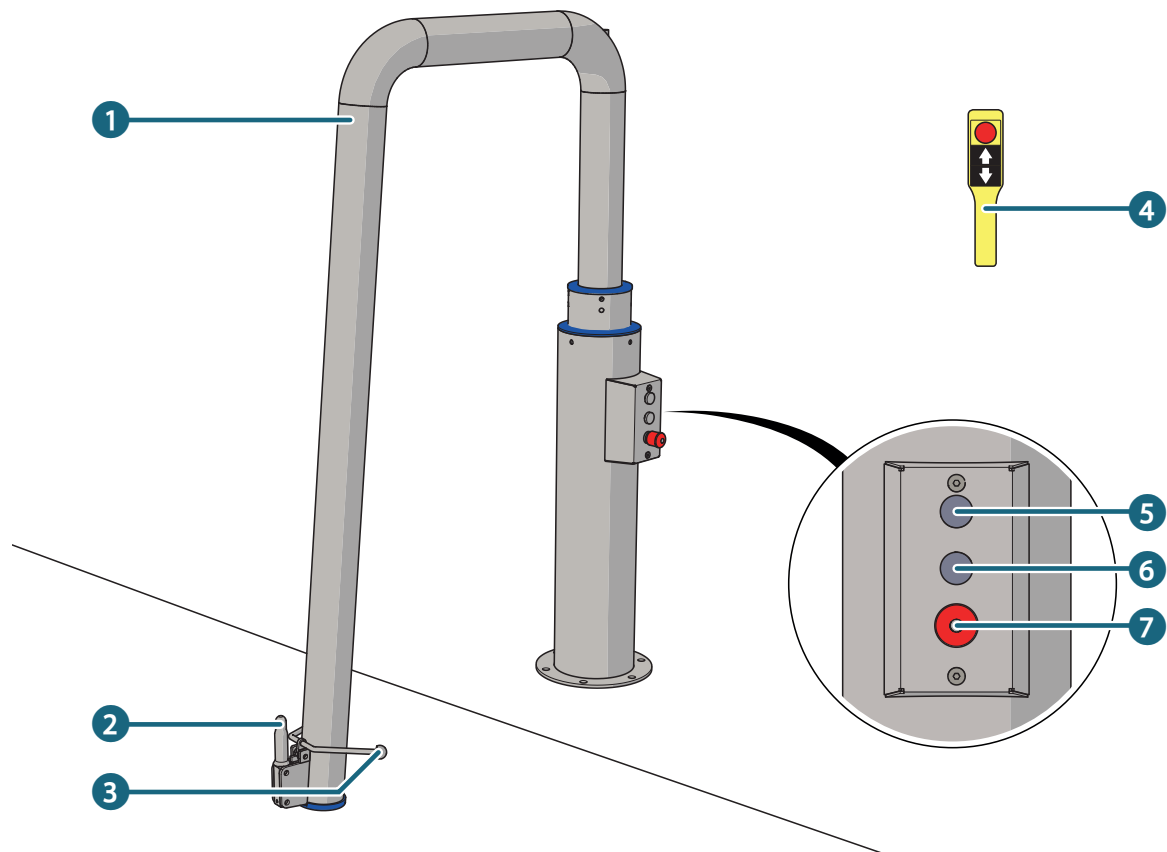


Figure 1 - Components

1. Lift arm (U-tube)
2. Lift pin
3. Lever rotation lock
4. Hand control (optional)
5. Operate button up
6. Operate down button
7. Emergency stop

1.3. Specifications

Maximum motion	1300mm
Turntable	400-1000mm
Installation depth platform	1200mm
Load capacity	150 kg (exclusive accessory)
Power	230V/1-fase
Expected lifespan	15 years

1.4. Identification number

The pool lift identification number can be found right above the control panel (see the blue square in figure 2).

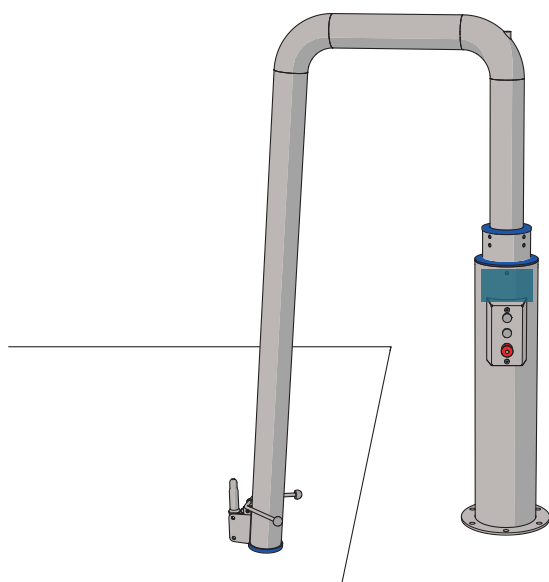


Figure 2 - Pool lift identification number

2. SAFETY

2.1. Safety precautions

The pool lift is equipped with an emergency stop. If an dangerous situation threatens to occur, the emergency stop can be used to stop the pool lift immediately.

2.2. Safety instructions

⚠ WARNING	Risk of serious injury. <ul style="list-style-type: none">• Check the pool lift for defects or other faults. If there are any defects or malfunctions do not use the pool lift. Contact Tieleman Pool Technology.
⚠ WARNING	Risk of serious injury: <ul style="list-style-type: none">• Always check for any defects before use.• Check height adjustment for proper operation.• Check the rotation point of the pool lift for proper operation. If there are any defects, do not use the pool lift. Contact Tieleman Pool Technology.
⚠ WARNING	Drowning hazard: Make sure no one is under the pool lift and its accessory when it is lifted in the pool.
⚠ WARNING	Pinch hazard (risk of serious injury): Do not hold the pool lift near the part that slides in or out when adjusting the height of the pool lift.
⚠ WARNING	Pinch hazard (risk of serious injury): Make sure that the client's limbs and yourself are not near the lift sleeve and lift pin when connecting the accessory.
⚠ WARNING	Pinch hazard (risk of serious injury): Never position your feet under the lift pin.
⚠ WARNING	Risk of damage: Stop operating the pool lift down immediately the moment the lift pin gently touches the floor to prevent damage to the floor and pool lift.
⚠ CAUTION	Fall hazard (risk of minor injury): Place the accessory in a safe place where it will not be a hazard to pool users.

3. OPERATION

Prior to use, always check the pool lift for any defects.

⚠ WARNING	Risk of serious injury. <ul style="list-style-type: none">• Check the pool lift for defects or other faults. If there are any defects or malfunctions do not use the pool lift. Contact Tieleman Pool Technology.
------------------	---

3.1. Adjusting the height of the pool Lift

The pool lift is equipped with an emergency stop (see number 7 in figure 1) and two buttons for operating the pool lift (see numbers 5 and 6 in figure 1).

To raise the pool lift:

1. Press and hold the control button with the arrow pointing up (see figure 3).

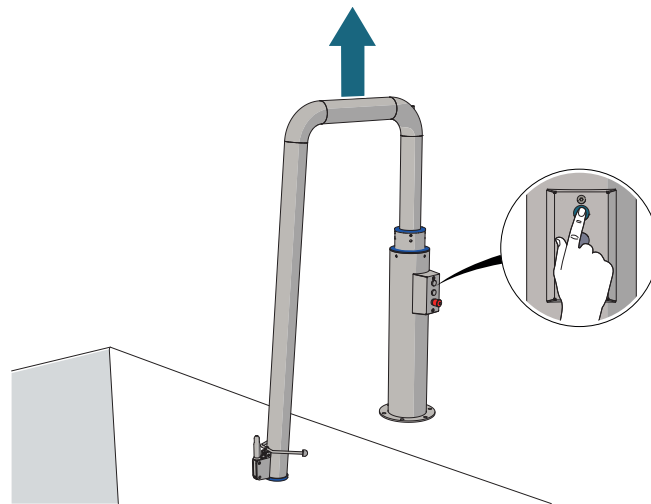


Figure 3 - Operating the pool lift upwards

2. Release the control button when the desired height is reached.

To lower the pool lift:

1. Press and hold the control button with the arrow pointing down (see figure 4).

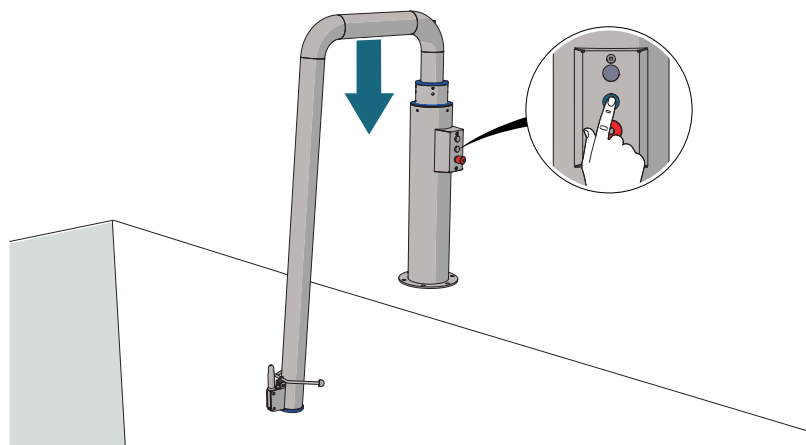


Figure 4 - Operating the pool lift downwards

2. Release the control button when the desired depth is reached.

3.2. Rotating the pool lift

The pool lift has a rotation radius of 400 to 1000mm, from the center point to the quick-change system.

To rotate the pool lift:

1. Adjust the pool lift to the correct height (see §3.1).
2. Position yourself next to the pool lift (see the blue square in figure 5).

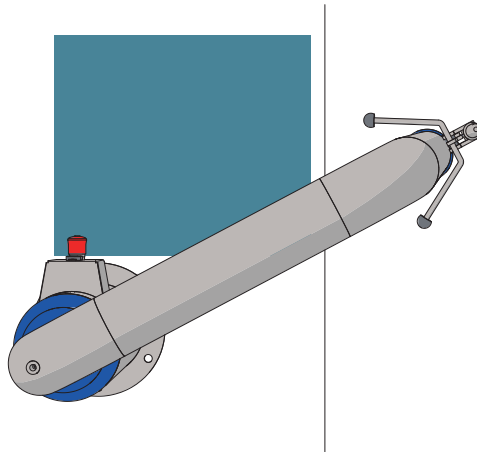


Figure 5 - Positioning

3. With your hand, hold the lift arm (U-tube) of the pool lift (see figure 6).

⚠ WARNING	Pinch hazard (risk of serious injury): Do not hold the pool lift near the part that slides in or out when adjusting the height of the pool lift.
------------------	---

4. Pull the pool lift to the side in a smooth motion or push the lift to the pool in a smooth motion (see figure 6).

i	The movement of the lift arm requires minimal physical effort by the medical specialist.
----------	--

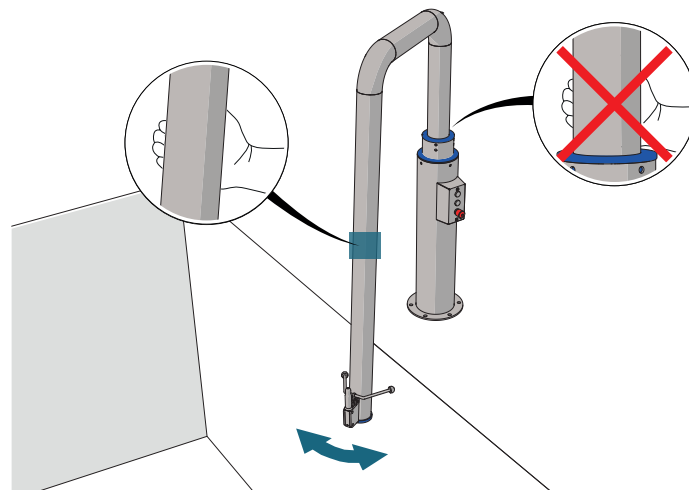


Figure 6 - Grabbing and rotating the lifting arm.

3.3. Connecting the pool lift to the accessory

The pool lift has a lift pin that connects to the lift sleeve mounted on the accessories.

⚠ WARNING	Pinch hazard (risk of serious injury): Make sure that the client's limbs and yourself are not near the lift sleeve and lift pin when connecting the accessory.
------------------	---

To connect the pool lift to the accessory:

1. Set the pool lift to the correct height (see §3.1).
2. Rotate the pool lift until the lift pin is positioned near the accessory (see §3.2).
3. Move the accessory so that the lift pin is directly under the accessory's lift sleeve (see figure 7).

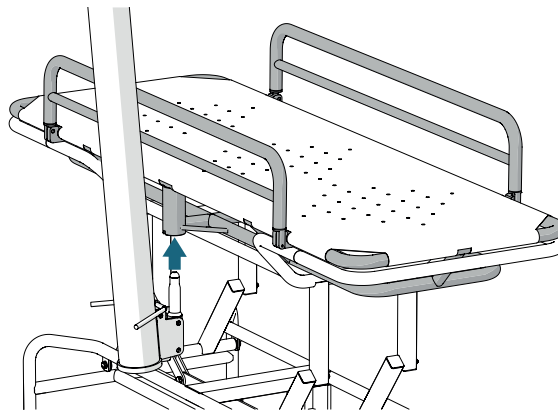


Figure 7 - Inserting the lift pin into the lift sleeve.

4. Raise the pool lift using the button with the arrow pointing up (see §3.1).
5. The lift pin connects to the lift sleeve (see figure 8).

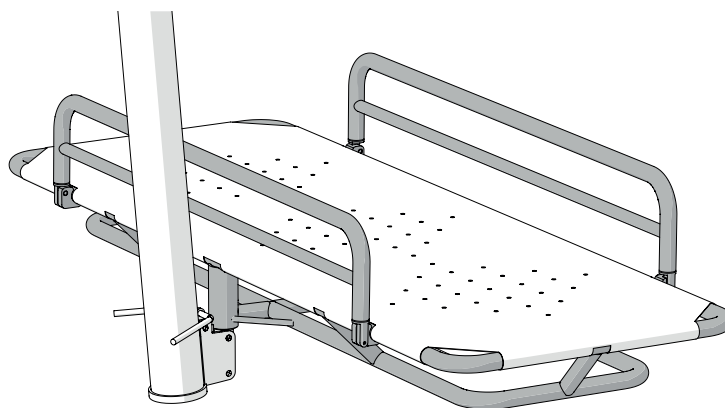


Figure 8 - The lift pin inserted into the lift sleeve.

6. Make sure that the lift pin is fully engaged in the lift sleeve.

3.4. Activating and deactivating the rotation lock

The pool lift has a rotation lock that allows you to lock the attached accessory into position.

To activate the rotation lock:

1. Make sure that the lift pin is properly attached to the lift sleeve (see §3.3).
2. Move the accessory to the position where it is parallel to the pool lift (see figure 9).

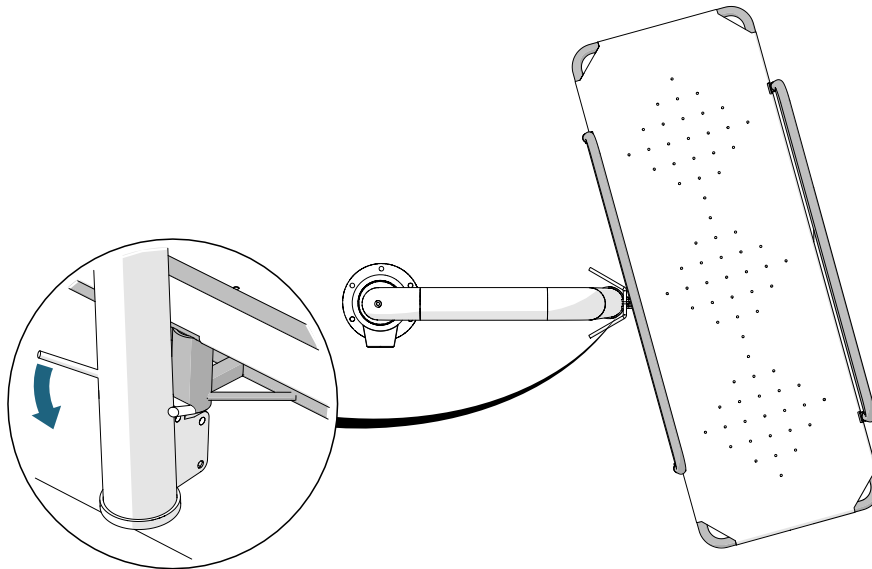


Figure 9 - Engaging the rotation lock (1)

3. When the accessory is parallel to the pool lift, the system automatically locks into place because of the weight of the accessory (see figure 10).

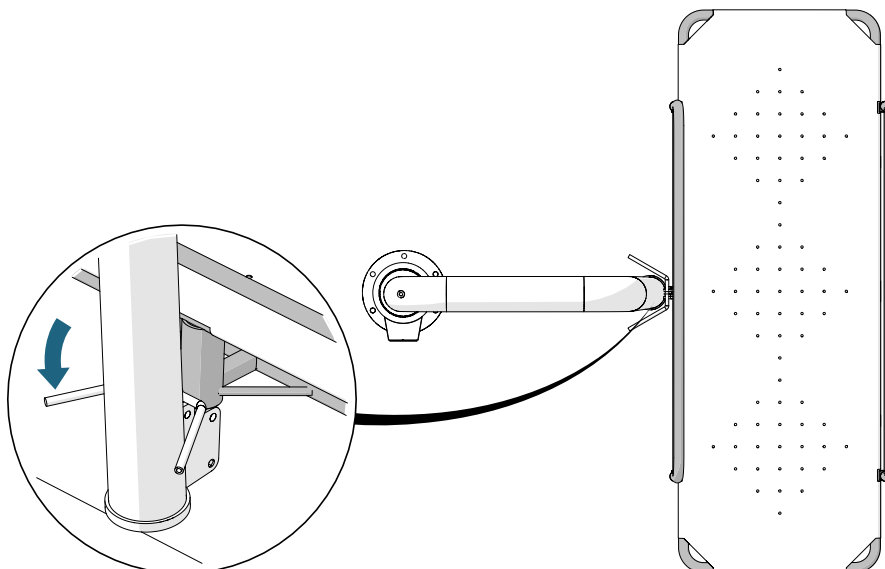


Figure 10 - Engaging the rotation lock (2)

To deactivate the rotation lock:

1. Check that the lift pin is properly attached to the lift sleeve (see §3.3).
2. Move the rotation lock lever (number 3 in figure 1) upward (see figure 11).

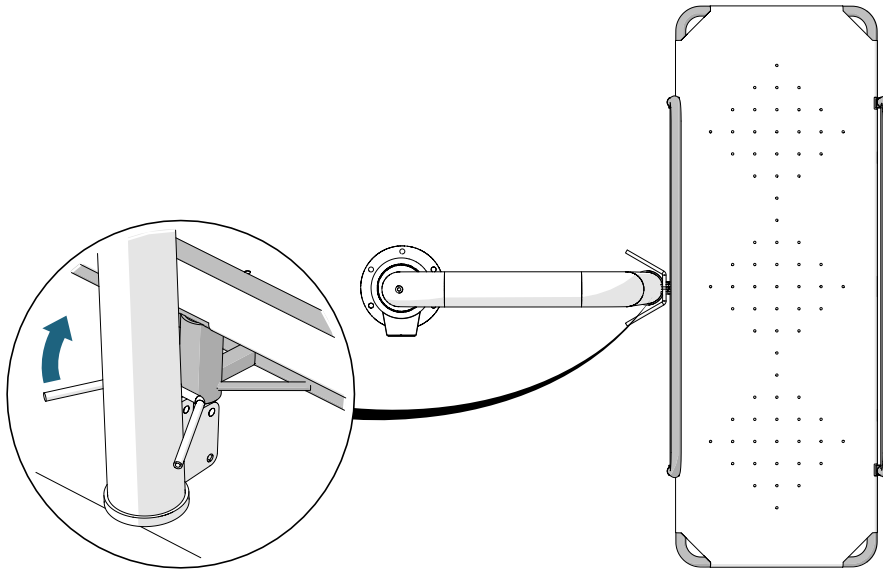


Figure 11 - Disabling the rotation lock (1)

3. Hold the lever and swing the accessory out of the parallel position (see figure 12).

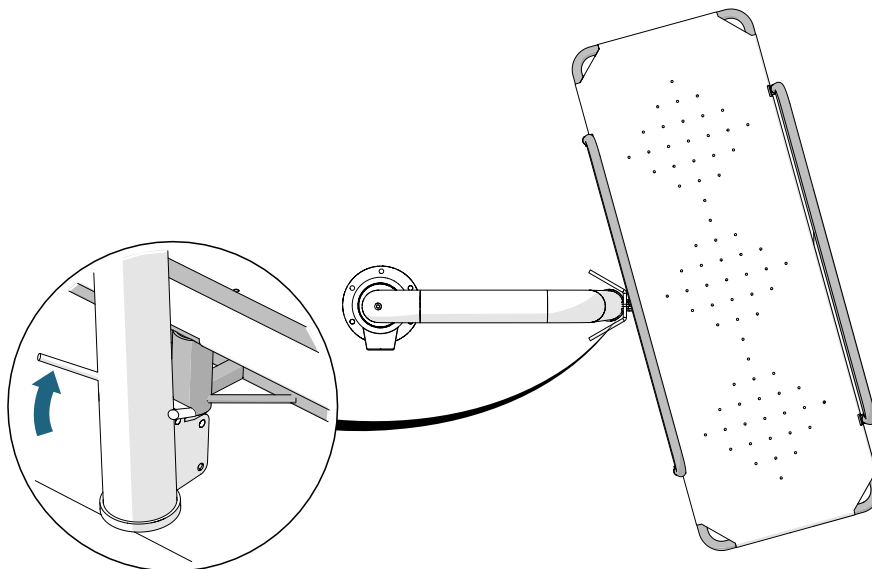


Figure 12 - Disabling the rotation lock (2)

4. The rotation lock is now disabled. The accessory can now be adjusted into the desired position.

3.5. Lifting the accessory into the water

⚠ WARNING

Drowning hazard (risk of serious injury):
Make sure no one is under the accessory when it is moved into the pool with the pool lift.

To lower the accessory into the water:

1. Check the work area so that there will be no dangerous situations.
2. Place the client on the accessory.



See the manual for the adjustable height stretcher and wheelchair.

3. Make sure the accessory is parallel to the edge of the pool when connecting to the pool lift.
4. Attach the pool lift to the accessory (see §3.3).
5. Make sure that the rotation lock is engaged (see §3.4).
6. Swivel the accessory to above the water (see §3.2).
7. Lower the accessory into the water to the desired depth (see §3.1).
8. Move the client from the accessory.



See the manual for the adjustable height stretcher and wheelchair.

3.6. Putting back the accessory

To put the accessory back in place:

1. Place the client on the accessory.



See the manual for the adjustable height stretcher and wheelchair.

2. Move the accessory upwards using the pool lift (see §3.1).
3. Swing the pool lift with the accessory to the side (see §3.2).
4. Make sure the accessory is parallel to the edge of the pool when the pool lift is disconnected from the accessory.
5. Continue lowering the pool lift until the lift pin is removed from the lift sleeve (see §3.3).
6. Move the client from the accessory.



See the manual for the adjustable height stretcher and wheelchair.

3.7. Putting the pool lift in rest position

After using the pool lift, you put the pool lift in rest position.

⚠ WARNING	Pinch hazard (risk of serious injury): Never position your feet under the lift pin.
------------------	--

i	It is important that the bottom of the lift pin touches the floor at the rest position. This ensures that the pool lift is in a secure and fixed position.
----------	--

To put the pool lift in rest position:

1. Bring the accessory towards the side and move it away (see §3.6).

⚠ VOORZICHTIG	Fall hazard (risk of minor injury): Place the accessory in a safe place where it will not be a hazard to pool users.
----------------------	---

2. Lower the pool lift (see §3.1) until the lift pin gently touches the floor (see figure 13).

⚠ WARNING	Risk of damage: Stop operating the pool lift down immediately the moment the lift pin gently touches the floor to prevent damage to the floor and pool lift.
------------------	---

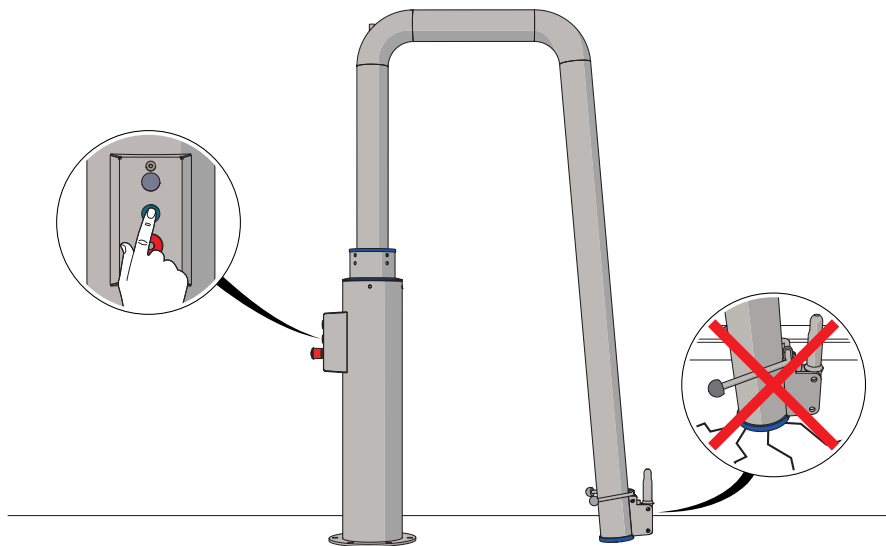


Figure 13 - The pool lift in rest position

4. SERVICE AND INSPECTION

Rinse the pool lift with tap water after each use and wipe with a towel.

4.1. Service

What needs to be done?	Who will carry it out	Frequency
Bolts replacement	Tieleman Pool Technology	5 years
Oil change	Tieleman Pool Technology	5 years
Plastic guiding rings replacement	Tieleman Pool Technology	5 years

4.2. Inspection

What needs to be done?	Who will carry it out?	Frequency
Visual inspection	Tieleman Pool Technology	1 year
Physical inspection and securing fastening technology	Tieleman Pool Technology	1 year
Electrical installation inspection	Tieleman Pool Technology	1 year
Hydraulic system inspection	Tieleman Pool Technology	1 year
Inspection maximum load	Tieleman Pool Technology	1 year

5. TRANSPORTATION AND STORAGE

⚠ WARNING

Please contact Tieleman Pool Technology at all times.

6. DISCARD

To remove the pool lift:

 **WARNING**

Please contact Tieleman Pool Technology at all times.

7. APPENDICES

7.1. Appendix A - Declaration of conformity (CE)

EC DECLARATION OF CONFORMITY 2A

MANUFACTURER

Business name: Tieleman Zwembad- en Hydrotechniek bv
Full address: De Koppeling 11A
Postal code: 6986 CS
Place: Angerlo
Country: The Netherlands

DESCRIPTION AND IDENTIFICATION OF THE MACHINERY

Generic denomination: Swimming Pool Lift
Function: Patient Pool lift
Model: PTH
Type: build to measure

COMPLIANCE

The manufacturer declares that the above mentioned machinery fulfils all relevant provisions of

Medical Devices 93/42/EEC

In conjunction with the following harmonised standards and where appropriate other technical standards and specifications

for the risk assessment

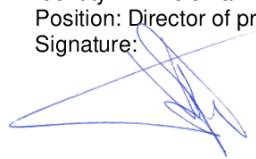
EN-ISO 12100:2010

for the design and manufacture

EN- 12182:2012; EN- 13451

Mr. V. Tieleman prepares the technical file for Tieleman Zwembad- en Hydrotechniek

Place: Angerlo
Date: 09/03/2023

Identity: V. Tieleman
Position: Director of production
Signature: 



Tieleman Pool Technology
De Koppeling 11 A
6986 CS, Angerlo
The Netherlands

Info@tzhbv.nl
www.tieleman.eu/en

+31 (0)313 476 265